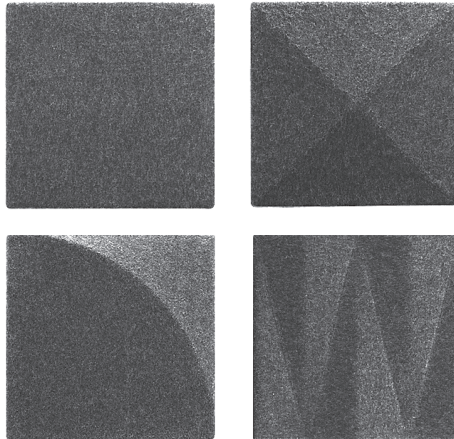


Acoustic Panel



Instruction for Use
Assembly Guide



okamura

Safety Instructions



Caution

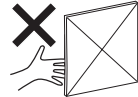
Follow instructions below to avoid injuries and accidents.



Caution

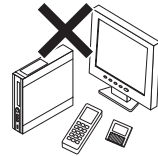
Handle with care

When mounting the panel to the wall or demounting it from the wall, please do so by pulling away from the wall one end-corner at a time. Don't pull the panel down or upon the surface, or pull it off the wall by grabbing the sides.



Don't get any objects that may be interfered by magnets near the panel

The panel comes with four magnets on the corners. Do not get any objects (watch, credit cards, PC screens, smartphones, etc) that may be ruined by magnets near the panel. The magnets on the panel may cause permanent damage to the objects.

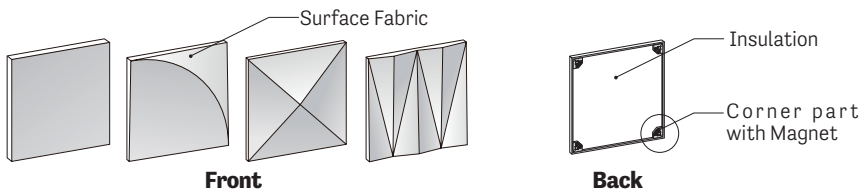


Do not use the product for unintended use.

Do not stand on the panel or lean on to it.
Do not handle the panel brutally or place anything on the product.
Mount the panel on the flat surface only.
This product is not intended for the outdoor use.

Part descriptions

GO-DO acoustic panel Dimension 17 3/4" W x 17 3/4"H x 2" T Weight 1lbs. per panel



Steel Plate 4 pcs of steel plate per set (Dimension 1" 1/4 x 1" 1/4)



*** Screws are not supplied**

* Required screw: No. 6 (3.5) Flat head c/sunk (Length/Type of the screw must be specified and supplied by the local constructor to suite the wall specification.)

Installation Instructions for Non-Steel Wall

Step 1 Preparation and planning

1. Clean the wall where panels are going to be installed.
2. Create an ideal layout before installation and have it on site to reference.

Step 2 Marking your starting point

1. Using a level or laser, mark the wall where the first row from the bottom go and determine your starting point in the bottom left hand corner.
2. Fix a steel plate 1" inside from the left panel line and bottom panel line with screws that is suitable for your wall type. (See Fig. 1)

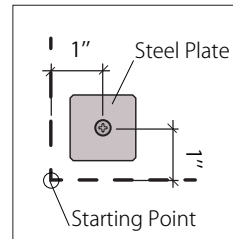


Fig. 1

Step 3 Plotting steel plates

1. From the starting point, measure $16\frac{3}{4}$ ", and fix the next plate and work your way up. (See Fig. 2)
2. Once you have two columns up, double check your spacing by installing GO-DO panels.
3. When working on the third column, carefully plot steel plates 2" apart, not to make openings/gaps between the panels. (See Fig. 3)
4. Finish steel plates with similar colors as the wall, if necessary.

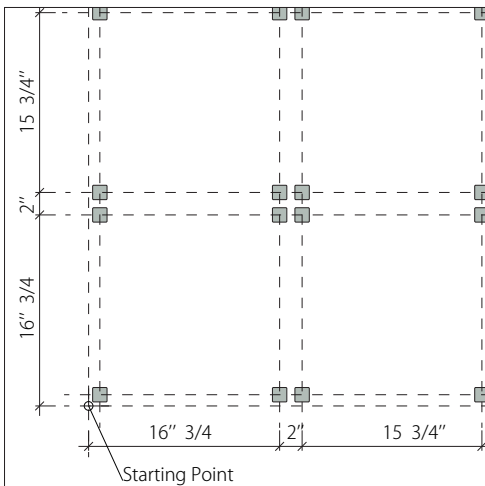


Fig. 2

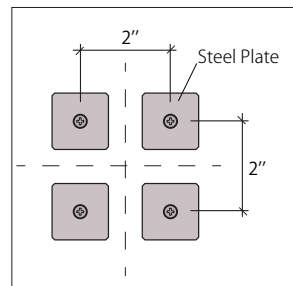


Fig. 3

Fig. 4

(Continued from previous page)

Once all steel plates are fixed on the wall with screws (not included in the wall panel package) , install GO-DO panels according to your layout. Magnets on the corner of GO-DO panel will stick to the steel plates. (See Fig. 4)

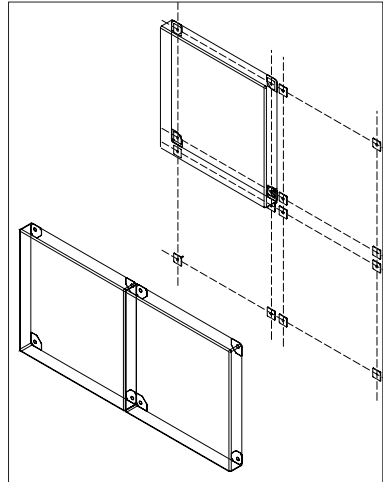
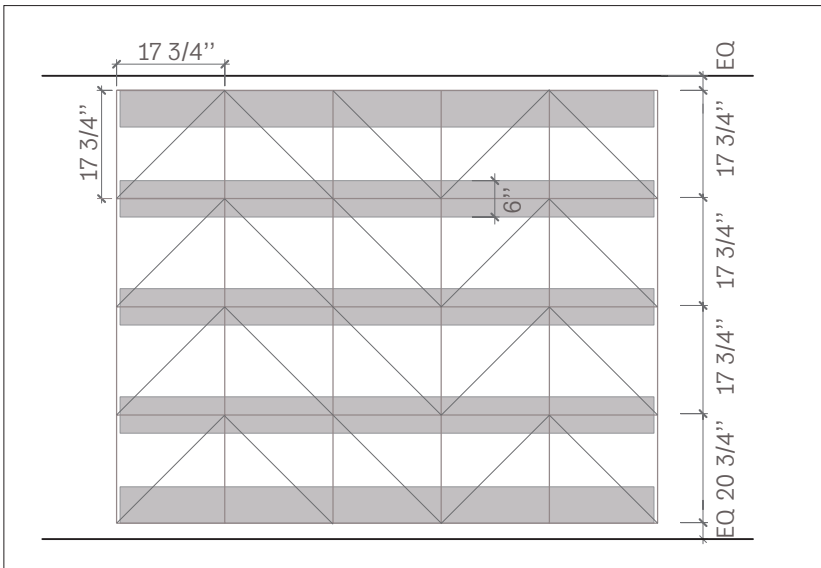


Fig. 4

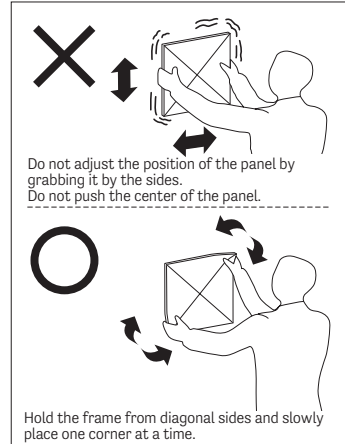
Installation Example with Sheet Metal Strip

When panel installation covers a vast area of the wall, sheet metal strips may be used instead of metal plates.



Panel Installation

1. Create an ideal layout and clean steel surface.
2. When mounting the panel, place it one magnetized corner at a time on to the steel surface.
3. When adjusting the position, hold the diagonal corners with both hands, and pull it from one corner at a time.
4. To demount the panel, hold the diagonal corner and pull each corner one by one carefully.
5. Do not handle the panel roughly or press the surface fabric vigorously. It may cause deformation of the felt surface cover.



Caution

Be careful not to trap fingers between the panel and the wall.

Attention and Care

Protect from direct heat and sunlight.

Optimal ventilation is recommended when the product is taken out from the packaging for the first time.

Cleaning

Professional cleaning is always recommended.

Always test any cleaning products on an inconspicuous area prior to cleaning.

Blot any excess spills from the material with a dry clean sponge or cloth.

Treat all stains and spills as soon as possible.

Most marks can be spot cleaned by lightly wetting the affected area with a mild detergent and warm water solution. Once the stain or mark has been loosened then blot the excess solution out with a dry clean sponge or cloth.

Sponge afterwards with clean warm water and dry any excess moisture with a dry clean sponge or cloth.

Materials

Parts	Main Material
Fabric Cover	Polyester
Insulation	Polyester
Corner Parts	Nylon

Please follow the information when recycling.

Material specification is subject to change without notification.

OKamura

OKAMURA CORPORATION
International and Sales & Marketing Division
2-14-27 Akasaka, Minato-ku, Tokyo 107-0052 Japan
Tel: +81-3-5561-4085
Fax: +81-3-5561-4086

GUW197
2018-12