

5. Specifications

Main Materials and Surface Finishes

Parts		Materials	Surface Finish
Tabletop (High pressure laminate)	Surface material	Melamine resin	—
	Edge material	ABS resin	—
	Core material	Fiberboard	—
	Back material	Melamine resin	—
Tabletop (Linoleum)	Surface material	Linoleum	—
	Edge material	ABS resin	—
	Core material	Fiberboard	—
	Back material	Melamine resin	—
Tabletop (Veneer)	Surface material	Natural wood	Urethane resin coating
	Edge material	Natural wood	Urethane resin coating
	Core material	Fiberboard	—
	Back material	Melamine resin	—
Reinforcement Frame		Metal (Steel)	Melamine resin, enamel-finished
Legs (Meeting table)	Support Base	Metal (Aluminum)	Amino-alkyd resin coating
	Leg	Natural wood	Lacquer finish
Legs (Low table)	Support Base	Metal (Steel)	Amino-alkyd resin coating
	Leg	Natural wood	Lacquer finish
Leveler		Nylon, Steel	—
Wire management tray	Body	66% Polyester + 34% Polyester (Elastomer)	—
	Thumb screws	Urea resin, Metal (Steel)	—
Vertical wiring duct	Body	66% Polyester + 34% Polyester (Elastomer)	—
	Mounting brackets	Metal (Steel)	Polyester coating
	Thumb screws	Urea resin, Metal (Steel)	—

Meeting Table

Phlox Table

Instructions for Use



OKAMURA

OKAMURA CORPORATION

International Sales & Marketing Div.

www.okamura.com

G11KD5/2022-06

OKAMURA

1. Safety Instructions (Be sure to follow these instructions)

Information on Graphic Symbols

This Instruction Manual and indications on the products use various types of symbols to help you safely and correctly use the products, preventing you, people nearby, and properties from being damaged. The symbols mean as shown below. Make sure to understand the meaning of the symbols well before reading the instructions.



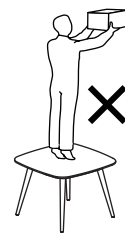
This indicates that improper handling may cause injury or property damage.

△ The symbols are there to call your attention to the parts indicated.



Do not handle roughly, or use improperly. Failure to follow the safety precautions cause injury or damage to the product.

- Do not use this product as a step stool or as a transportation equipment.
- Do not use the table as a step or a carrier.
- Gently place objects on the desktop if it is necessary.



Do not put your hands or fingers in the gaps or movable portions. Careless handling may cause injury.

- When housing a wagon under the desktop, be careful not to get hands or fingers caught between the wagon and the Tabletop.

Be careful of the following items since it may cause injury or damage the product.

- Do not lean on to or sit on the body.
- Do not place any heavy objects on the corner of the Tabletop.
- If the product starts to creak due to loose bolts or screws, please be sure to tighten them again. Loosening may cause problems.
- Do not use the product if any parts have come off. It may cause damage or lead to accidents, such as tipping over.



Pay attention to the following when moving the table for layout change, etc.

- Do not move the desk with any objects on the tabletop.
- Be sure to disconnect cables, etc.
- The table should always be moved by two or more people.
- For adjuster operation, two or more persons shall be assigned as a group to firmly support the desk not to get hands or feet caught between the desk and the floor.

Do not move the table with equipment connected. Failure may cause equipment to be disconnected or overturned.

Do not disassemble or repair the product.

- Do not attempt to disassemble or repair the product yourself. Please contact our official dealers when needed.
- Do not use the product with loose bolts or screws. Failure may cause the main unit to be broken and cause injury.

Never remodel the product. Failure may cause a malfunction or accident.

- Remodeling by the customer may cause a malfunction. In that case, Okamura will not take any responsibility or liability for any phenomena caused.
- If you need to remodel the product, contact our Customer Service.

2. Operating Precautions

Please follow the instructions below. Failure may cause damage to the product. In that case, Okamura will not take any responsibility or liability for any phenomena caused.

Characteristics of natural wood

Natural wood varies in graining and color due to a natural material. The surface of the material is treated for durability improvement and protection as furniture, providing soft and calm texture of the natural material. The surface treatment may cause slight differences in color due to originality of the material, which is also a characteristic of the natural material. Further, the color will be deepened to generate grace and dignity over time. Some products may generate wood-specific smell or may get moldy if left in humid places. It is recommended to practice regular ventilation. Please understand those characteristics and carefully read this manual for your long and continued use.

* Natural wood includes solid wood, veneer, artificial veneer, plywood, molded plywood, laminated wood, MDF (Medium Density Fiberboard), etc.

Properties of Linoleum

Linoleum is an environmentally friendly, sustainable, natural material, made from natural ingredients such as flaxseed oil. Please note that due to its properties as a natural material, variations in color tone and fading due to long-time use may occur. Some units may give off an odor characteristic of linoleum, but this is due to the linseed oil and is not harmful to the body. It will disappear with time in a well-ventilated space. Therefore, we recommend regular ventilation. The soft, matte texture is fingerprint-proof and is comfortable to write on. However, please note that pressing down with hard-edged writing instruments such as ballpoint pens or leaving heavy objects on the tabletop for a prolonged period of time may result in scratches or marks. We pay close attention to the manufacturing and delivery process, but please note that in rare cases, small scratches or shiny spots may be noticeable on the tabletop.

Installation

Be sure to use the product indoors.

- Do not use the product outdoors or in places exposed to water. Failure may cause damage such as warping and mold.

Avoid places exposed to direct sunlight. Failure may cause deformation or discoloration.

- When installing the product near windows, constantly block direct sunlight with curtains, blinds, etc.

Avoid places with high temperature, high humidity, and extreme dryness. Failure may cause deformation, discoloration, and mold.

Avoid places directly exposed to heat or wind from stoves or air conditioners. Failure may cause deformation or discoloration.

Install the product so that it will be horizontal.

- Install the product so that it will be horizontal.
- Operate the adjusters to keep the desk horizontal to the floor.

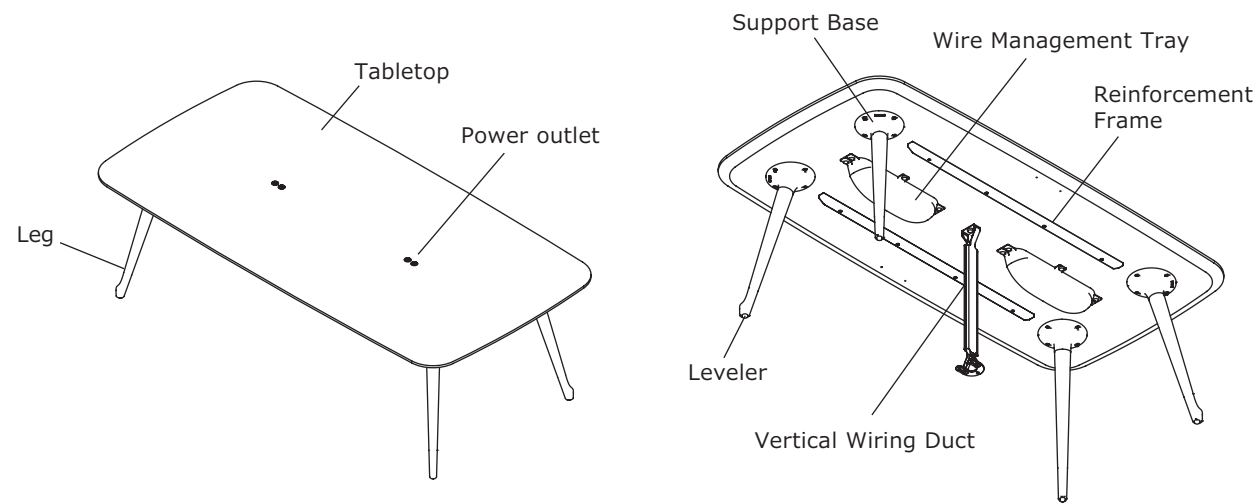
Appropriate Ventilation Measures

- Many chemical substances will be released by the product when it is first purchased. Sufficiently ventilate or expose the product to moving air for some time after purchasing it.
- Do not completely close windows when using the product in rooms with conspicuously high temperatures/ humidity (the benchmarks for these are temperatures in excess of 28°C (82.4°F) and relative humidity in excess of 50%).

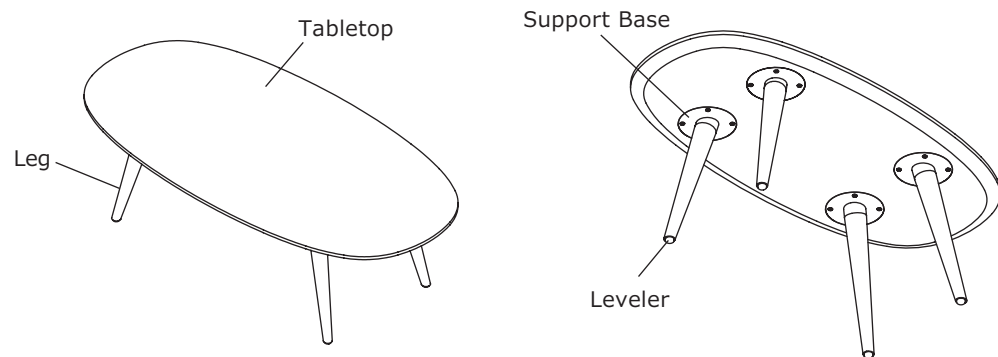
3. How to use the product

Parts Name

【Meeting Table】



【Low Table】

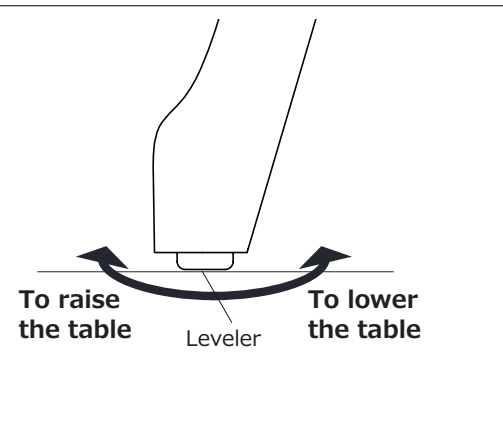


【How to Operate the Leveler】

The height of the table can be adjusted within the range of 0 to 10 mm by rotating the Levelers at the leg ends. When installing the desk, use the Levelers to keep the product horizontal.

⚠ Caution

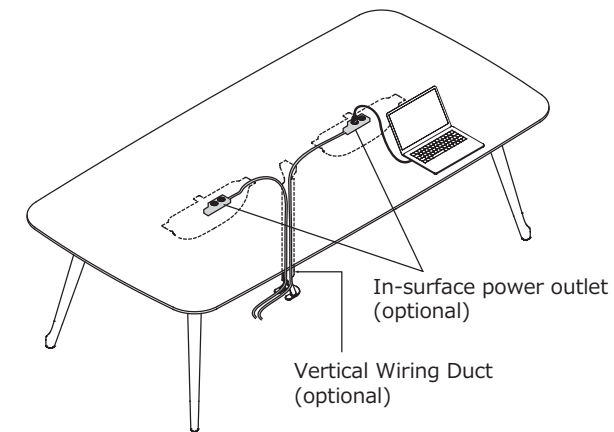
Two or more people should carry out the adjustment in order to avoid catching hands or fingers between the table and the floor.



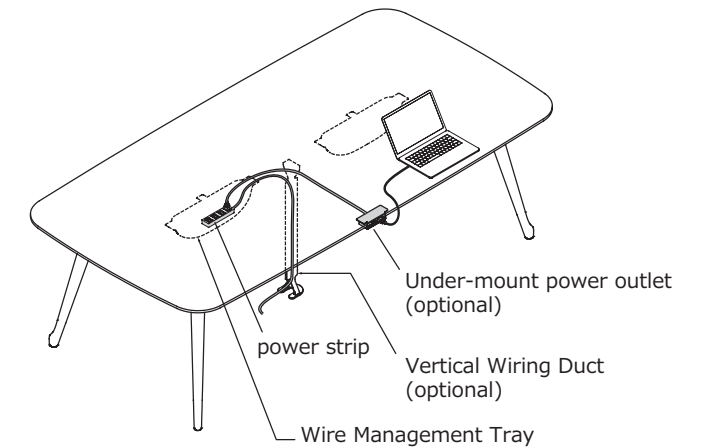
3. How to use the product

【Wire routing diagram】

■ When not using power strip

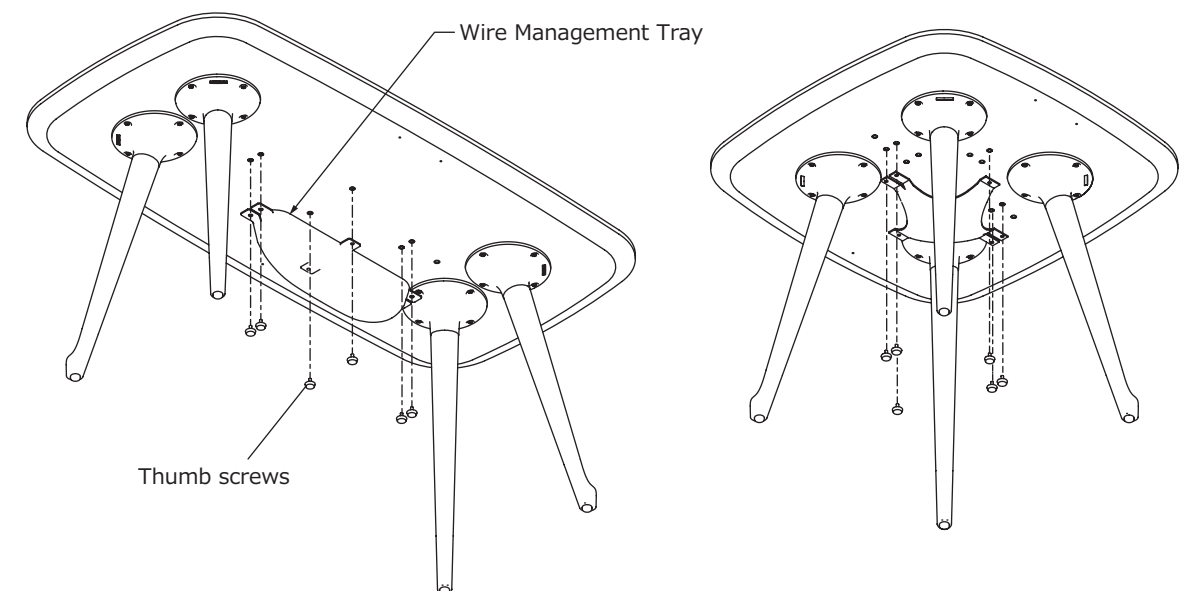


■ When using power strip

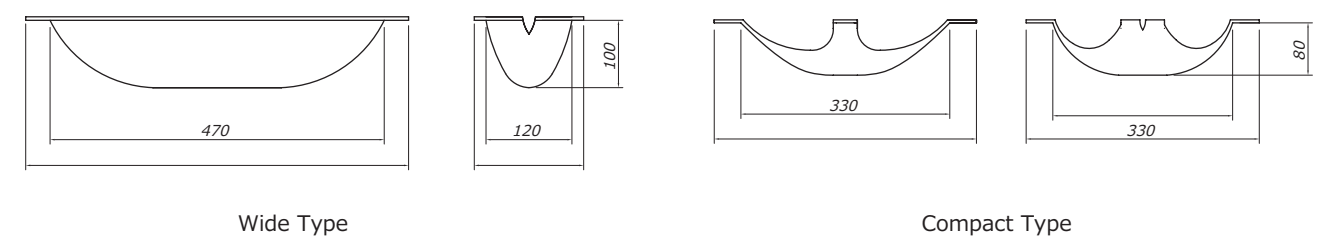


【How to install the wire management tray】

A wire management tray can be attached under the tabletop to accommodate extra cord lengths. This is included as standard equipment in tables for in-surface power outlet, and can be retrofitted as an option on tables without in-surface power outlet.



Effective Dimensions

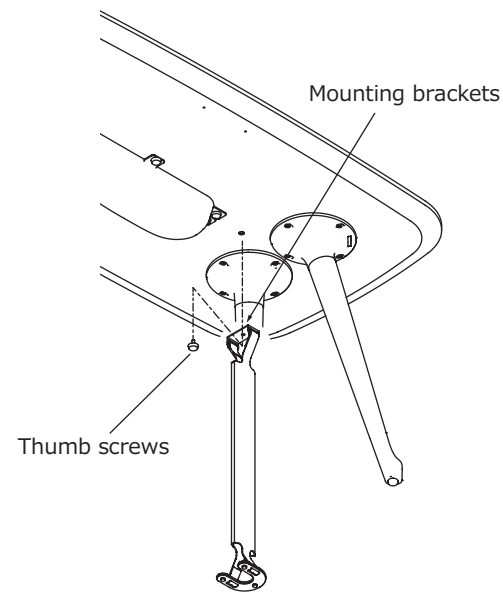


3. How to use the product

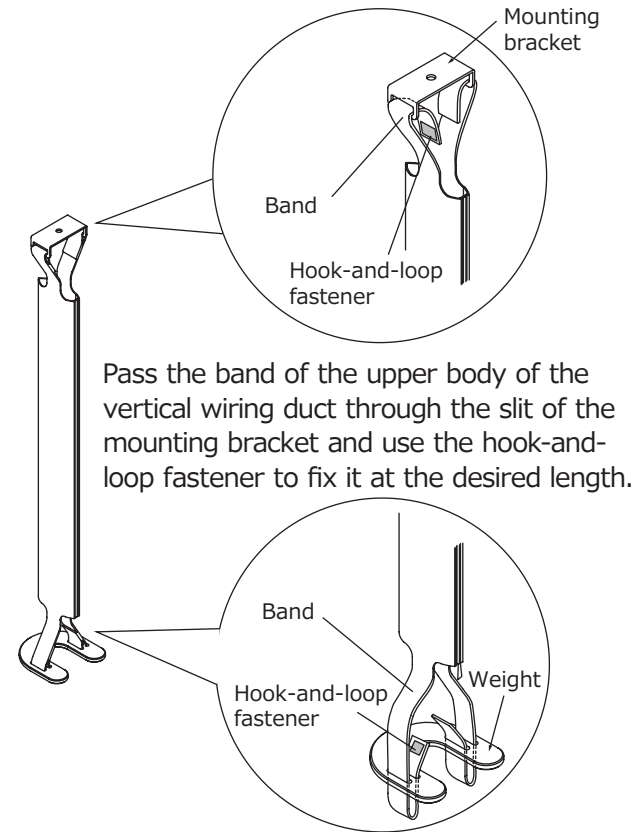
[How to install the vertical wiring duct (optional)]

① Secure the metal mounting brackets

Attach the mounting brackets to the tabletop using thumb screws (M6 x 10L).



② Attach the vertical wiring duct to the mounting bracket / weight

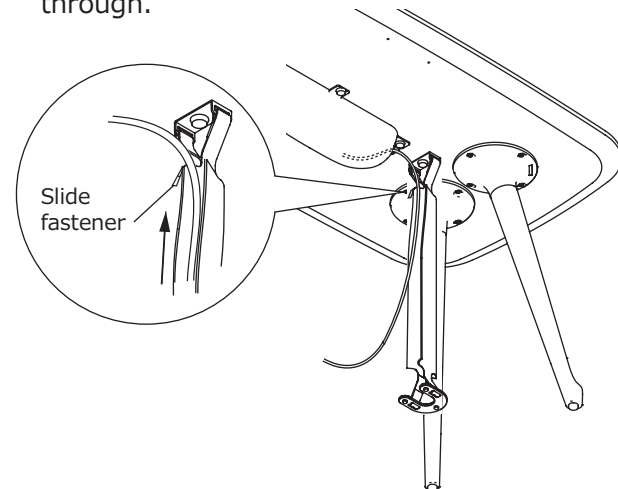


Pass the band of the upper body of the vertical wiring duct through the slit of the mounting bracket and use the hook-and-loop fastener to fix it at the desired length.

Pass the band of the lower body of the vertical wiring duct through the slit of the weight and use the hook-and-loop fastener to fix it at the desired length.

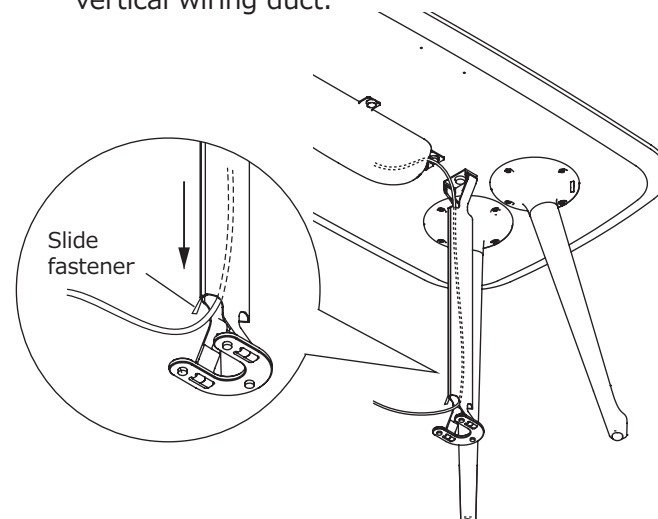
③ Open the vertical wiring duct and install the cables

Pull up the slide fastener to open the vertical wiring duct and pass the cables through.



④ Close the vertical wiring duct and complete the step

Pull down the slide fastener to close the vertical wiring duct.



4. Instructions to Extend the Life of Product

Operating Precautions and Maintenance

- If the product has become unsteady due to loosening of the bolts or screws during use, retighten them immediately.
- Do not use any sharp-edged objects such as a knife on the Worktop. Failure may damage the Worktop.
- Do not place any hot objects directly on the product. Failure may leave white stains.
- Avoid direct exposure to steam. Failure will cause rust.
- We recommend using coasters when placing mugs or drinking glasses on linoleum or veneer tabletops for a prolonged period of time.

- Wipe off any water on the product with a dry and soft cloth.
- Immediately wipe off tea, coffee, detergent, chemical, etc. if any spilled.
- This Instruction Manual is very important, so store it in an easily accessible location.
- Regular maintenance is recommended for long-life use. Please request us early for inspections and repairs (fees required) when the warranty has expired.

Daily care

[Daily care]

- Be sure to use a soft and dry cloth for daily care.

[Care in case of exceptional dirtiness]

- Moisten a soft cloth with diluted neutral detergent, wring it out well, and wipe the grime clean. Afterwards, dry wipe with a soft, dry cloth in order to remove any traces of detergent.

[Precautions for daily care]

- If you use a commercially available cleaner, make sure to confirm that discoloration or other phenomena will not occur by applying a small amount of the cleaner to an unnoticeable portion in advance.

[Resin Part]

- Wipe with a well wrung soft cloth moistened.
- If dirt is noticeable, wipe it off with a well wrung soft cloth moistened with thin neutral detergent. Be sure to remove detergent completely with a damp cloth and wipe again with a dry cloth to dry it.

[Wooden Part]

- Gently wipe with a clean, dry, and soft cloth in the direction of the grain.
- When it gets exceptionally dirty, wipe off the dirt with a well wrung soft cloth moistened, and wipe again with a dry cloth to dry it.

Please be careful

- Do not use the following items which will damage the coating.
 - Thinner, benzene, alcohol, lacquer, oil, vinegar, boiling water, polishing powder, etc.
- Do not frequently wipe with a cloth moistened, otherwise, the wood portion will be cracked.

[Aluminum · Steel part]

- Wipe off with a dry soft clean cloth.
- Immediately wipe off any water or fingerprints (sebum). Please note that the aluminum portion will get oxidized to lose its gloss and deteriorate the texture if the chair is left with water or fingerprints (sebum) attached.

[Linoleum Part]

- Dry wipe with a soft cloth for everyday care.
- If liquid is left on the surface for some time, it may cause stains, so please wipe it off immediately.
- If dirt is noticeable, wipe with a soft cloth that has been wrung out well.
- For persistent grime, soak a soft cloth in diluted neutral detergent, wring it out well, and then wipe it off. Please wipe any traces of detergent off with a damp cloth, and wipe again with a dry cloth to dry the surface.
- Light scratches can be made less noticeable with walnut oil, which can be produced by rubbing a walnut over the scratch. After rubbing the oil in with a soft cloth, remove any excess oil by wiping the surface with a damp or dry cloth.

*Please note that this may not be effective for some scratches. We recommend testing the method on a less conspicuous area before applying it elsewhere.

Please be careful

- Do not use the following items, as they may cause discoloration or change in shine.
 - Thinners, benzene, alcohol, lacquers, petroleum, vinegar, boiling water, abrasives, etc.
 - Cleaners and chemicals containing hydrochloric acid, sulfuric acid, hydrofluoric acid, phosphoric acid, rust remover, sodium hydroxide, etc.
- Do not frequently wipe with a cloth moistened, otherwise, the wood portion will be cracked.