

Office Seating

SHIBUSA

Instructions for Use



okamura

OKAMURA CORPORATION
International Sales & Marketing Div.
<https://www.okamura.com>

G1C791 / 2020-09

okamura

Safety Instructions (Make sure to follow these instructions)

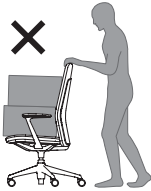


Do not handle roughly, or use improperly. Failure to follow the safety precautions cause injury or damage to the product.may

Caution

Do not handle roughly, or use improperly. Failure to follow the safety precautions cause injury or damage to the product.may

- Do not use this stool as a step stool or load carrier.
- Do not stand on the chair or sit on the front edge portion of the seat.
- Do not sit on other than the seat.

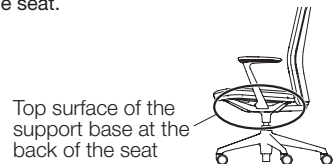


Be careful of the following items since it may cause injury or damage the product.

- Do not leave any abnormalities as is during use. Failure may cause the main unit to be broken and cause injury.
- If found unstable due to loosening of bolts or screws, retighten them.
- Do not use if any parts come off.

Do not put your fingers or hands into the spaces or moving parts of the product. This may lead to injuries.

- In particular, be careful not to have your hands or fingers caught in the gaps of the upper portion of the support base at the back of the seat.



Do not disassemble or repair on your own.

- The part indicated by the arrow mark is filled with high pressure gas. If you find any abnormalities, contact our dealer or Customer Service without disassembling or repairing by yourself, which is very dangerous.



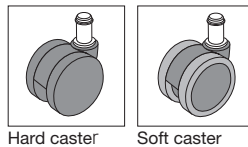
- If found any loose bolts or screws, do not use the product. Failure may cause damage to the product and result in injury.

Do not reconfigure. This leads to malfunction or accident.

- Reconfiguring by yourself causes the product to malfunction or accident. Okamura will have no responsibility for any disadvantages caused by remodeling.
- If you need remodeling, contact our official dealers beforehand.

For P tile floor

- Nylon wheels may slide too well to cause the chair to fall. Use urethane wheels. The nylon wheels are suited for floors covered with rugs or carpets.



Hard caster

Soft caster

Appropriate Ventilation Measures

- Many chemical substances will be released by the product when it is first purchased. Sufficiently ventilate or expose the product to moving air for some time after purchasing it.
- Do not completely close windows when using the product in rooms with conspicuously high temperatures/ humidity (the benchmarks for these are temperatures in excess of 28°C (82.4°F) and relative humidity in excess of 50%).

Installation

Please follow instructions below. Failure may cause serious damage to the product and Okamura will have no responsibility for any damages.

Indoor use only.

- No outdoor or waterfront use.

Avoid high temperature, high humidity, or extraordinary aridity.

Do not place product under heater or airconditioner exhausting high temperature air.

Avoid direct sunlight

- When placing alongside windows, use curtains or blinds to avoid direct sunlight.

Do not place on uneven floor.

- Make sure to place the product on an even floor when using. Failure may cause the product to deform or to be damaged.

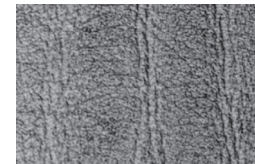
Characteristics of natural wood

Natural wood varies in graining and color due to a natural material. The surface of the material is treated for durability improvement and protection as furniture, providing soft and calm texture of the natural material. The surface treatment may cause slight differences in color due to originality of the material, which is also a characteristic of the natural material. Further, the color will be deepened to generate grace and dignity over time. Some products may generate wood-specific smell or may get moldy if left in humid places. It is recommended to practice regular ventilation. Please understand those characteristics and carefully read this manual for your long and continued use.

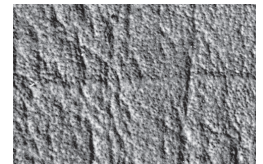
*Natural wood includes solid wood, veneer, artificial veneer, plywood, molded plywood, laminated wood, MDF (Medium Density Fiberboard), etc.

Characteristics of leather upholstery

- Since leather is a natural material, there may be slight differences in texture including creases, unevenness, and gullies depending on the portion. In addition, scratches may be viewed on the surface; scars of injury that the animal concerned got in the natural world. Those prove that the animal was alive and are great differences from artificially made synthetic leather. Therefore, they will never ruin the functions or quality of the material.



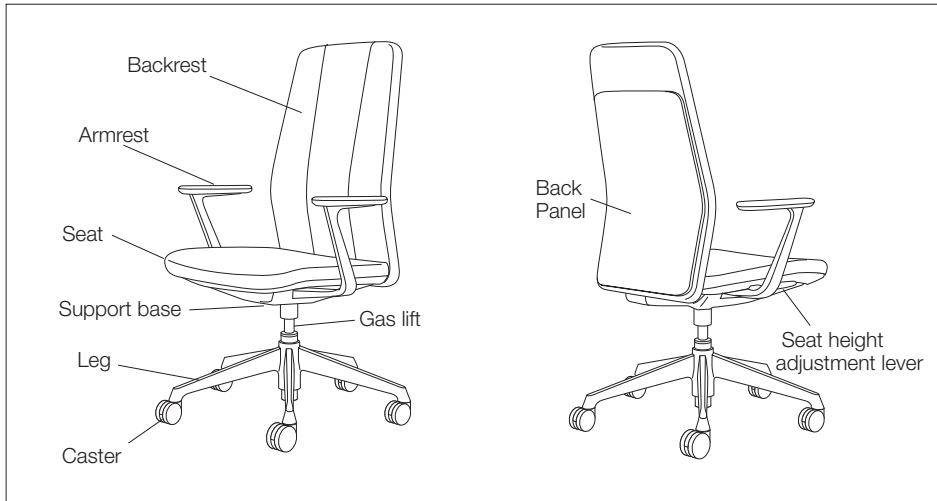
Wrinkle/gully (creases from the neck to the chest made to move the neck)



Scratch (scar)

- The surface of this leather is treated with a high technology to be water-resistant and stain-resistant without ruining the leather-specific features. The soft and supple touch of the leather will fit you over time.
- Clothes or leather may rub against the leather of the chair to generate sound depending on the leather covering method and design. This is specific to leather.

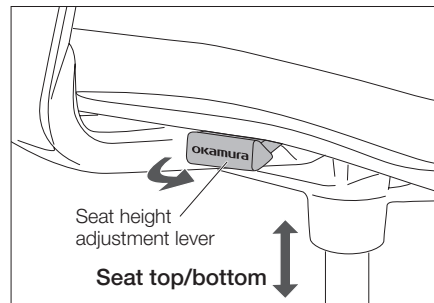
Parts Name



Operation Guide

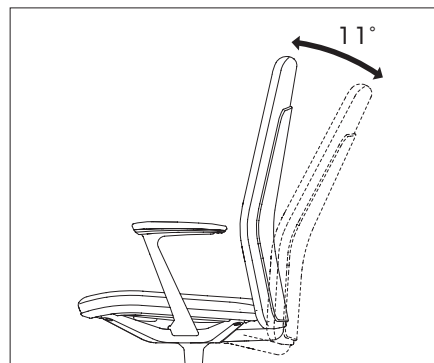
■ Seat height adjustment

Adjust the seat height using the seat height adjustment lever on the bottom right of the seat. The seat will be lowered if you pull the lever while seated, and it will stop at any position you release the lever at. The seat will be raised if you pull the lever while not seated on the seat.



■ Back rocking

When you lean on the backrest, the back of the seat will incline backward. The rocking angle of the back is 11 degrees.



Troubleshooting

Problem	Check	Solution	Page
The seat cannot be lifted up.	Are you sitting on the seat when adjusting the seat height?	Adjust the seat height while not seated on the seat.	3
	Is the seat height in its highest position?	The seat cannot be lifted up beyond the highest position.	3
The seat cannot be lowered.	Are you sitting on the front edge of the seat?	Sit in the center of the seat while adjusting.	3
	Is the seat height in the lowest position?	The seat cannot be lowered beyond the lowest position.	3
Casters do not move smoothly.	Are they tangled with lint or wool?	Remove lint or wool or replace the casters.	*
Casters are slippery.	Are you using urethane casters on hard floors such as a plastic tile floor?	Use soft casters.	
Chair makes noise.		Visit a retail shop or the nearest branch.	

*:Please contact an official dealer.

Instructions to Extend the Life of Product

Please follow instructions below. Failure may cause serious damage to the product and Okamura will have no responsibility for any damages.

Operating Precautions and Maintenance

- If the product has become unsteady due to loosening of the bolts or screws during use, retighten them immediately.
- Avoid direct exposure to steam. Failure will cause rust.
- This instruction manual is very important, so store it in an easily accessible location.
- Regular maintenance is recommended for long-life use. Make your request to us early for inspections and repairs (fees required) when the warranty period has expired.
- Parts replacement
For parts replacement and after-sales service, contact our dealer.

For daily care

Cloth part

- Remove dust using a vacuum cleaner while brushing with a soft brush or tapping on the surface not to damage the cloth of the chair.
- When it gets dirty after extended period of time, wipe with a well wrung soft cloth moistened with thin neutral detergent. Wipe clean with a damp cloth. Be sure to wipe detergent completely and wipe again with a dry cloth to dry it.
- When using alkaline electrolyzed water to remove stains, spray directly on the stain and brush with a soft brush taking care not to damage the cloth. Then, wipe the moisture and stain to remove and wait for the cloth to dry.
- When it gets an oily stain, dab and remove it by using a dedicated stain remover immediately. Then wipe with a soft cloth dampened with water, followed by a dry cloth to dry. Stains may be permanent depending on the material

<Caution>

- Remove stains as quickly as possible.
- Avoid causing a circular stain, remove not only the stain but also wipe off thoroughly around the stain.
- Try the cleaner on inconspicuous area first since the surface may discolor or deteriorate by using it.

Aluminum part

- Wipe off with a dry soft clean cloth.
- Immediately wipe off any water or fingerprints (sebum). Please note that the aluminum portion will get oxidized to lose its gloss and deteriorate the texture if the chair is left with water or fingerprints (sebum) attached.

Leather part

- Wipe off with a dry soft clean cloth.
- Immediately wipe off any liquid with a dry cloth. If dirt cannot be removed, wipe using a cloth moistened with slightly warm water.

<Caution>

- Do not use an organic solvent such as thinner and benzene, alcohol, a chemical cloth or a shoe cleaner. Please note that the chair with its color or texture deteriorated cannot be restored to its original state.

Wood part

- Gently wipe with a clean, dry, and soft cloth in the direction of the grain.
- When it gets exceptionally dirty, wipe off the dirt with a well wrung soft cloth moistened, and wipe again with a dry cloth to dry it.

<Caution>

- Do not use the following items which will damage the coating.
- Thinner, benzene, alcohol, lacquer, oil, vinegar, boiling water, polishing powder, etc.
- Do not frequently wipe with a cloth moistened, otherwise, the wood portion will be cracked.

Resin part

- If dirt is noticeable, wipe it off with a well wrung soft cloth moistened with thin neutral detergent. Be sure to remove detergent completely with a damp cloth and wipe again with a dry cloth to dry it.

Materials and Surface Finish

		Part	Main Materials	Surface Finish	
Structural parts	Backrest	Frame	Metal (Steel)	Polyester coating	
		Core material	Polypropylene	—	
		Back Panel	Veneer applied Curved plywood	Urethane Resin Coating	
	Seat	Inner shell	Curved plywood		
	Support base	Polished type	Metal (aluminum)	—	
		Coating type	Metal (aluminum)	Polyester coating	
	Leg	Polished type	Metal (aluminum)	—	
		Coating type	Metal (aluminum)	Polyester coating	
	Armrest	Body	Polished type	Metal (aluminum)	—
			Coating type	Metal (aluminum)	Polyester coating
Pad		Common for all models	Polyurethane	—	
Covering material	Cloth	Herringbone	Acrylic, Wool	—	
		Inter lock	Polyester, Cotton	—	
	Leather		bull leather	—	
Cushion material	Backrest		Polyurethane foam	—	
	Seat		Polyurethane foam	—	

*Please understand that product specifications might change without prior notification due to improvements made to the product.