

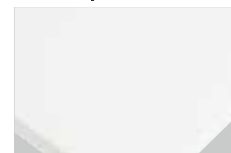
# FLAPTOR



okamura



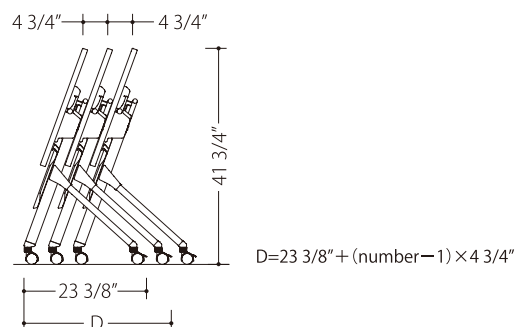
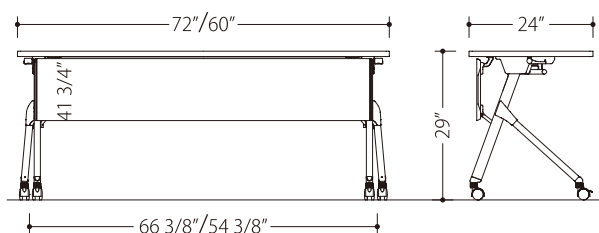
**Tabletop Color :**



White



Neo-wood Light



**Materials :**

Tabletop surface : Laminated melamine  
 Tabletop core : Particle board  
 Tabletop edge : ABS  
 Legs : Steel  
 Modesty panel : PP  
 Modesty edge : ABS

**Specifications :**

Single motion flip-up mechanism  
 Horizontal nesting  
 Level adjustable casters  
 Sophisticated square pipe design  
 60 kg load-bearing capacity on tabletop  
 (uniformly distributed weight)

**Environmental aspects :**

Developed and manufactured through an ISO14001 managed operation.  
 Main components are labeled and easy to disassemble to aid recycling.

**Variations :**

With / without modesty panel

**okamura**

OKAMURA CORPORATION

International Sales & Marketing Div.

2-14-27, Akasaka, Minato-ku, Tokyo, 107-0052 JAPAN

Tel: +81-3-5561-4085 Fax: +81-3-5561-4086

<http://www.okamura.jp/>

The products listed in this catalog are available as of May 2012. Please note that specifications, dimensions, and colors are subject to change without notice. The colors of the actual products may differ somewhat from the colors shown in the catalog, depending on printing conditions.