

traverse
Spec Guide
Issued March 2021



okamura

Impossibly thin. Beautifully strong.

Inspired by architecture and made possible by advances in structural engineering, the Traverse conference table collections feature a top so thin that it seems to float gracefully on the minimal support system, yet can span up to 20 feet in length. Every component of the table has been meticulously designed, from the silhouette to the transparent design, from the integration of technology to fourteen beautiful finishes.

Okamura's legacy of structural engineering, passion for creative materials, and signature craftsmanship unite in the Traverse Collection—recreating the conference table through engineered simplicity.



presented by
contract



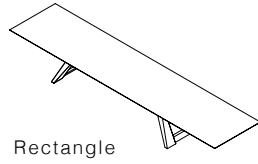
v collection

The minimal silhouette of traverse v collection is achieved through a simple, canted leg design mirrored on either side of the table.

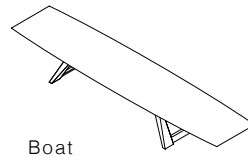
* Traverse v collection is designed and manufactured to meet or exceed ANSI/BIFMA X5.5.



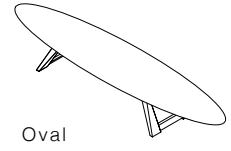
Shapes



Rectangle

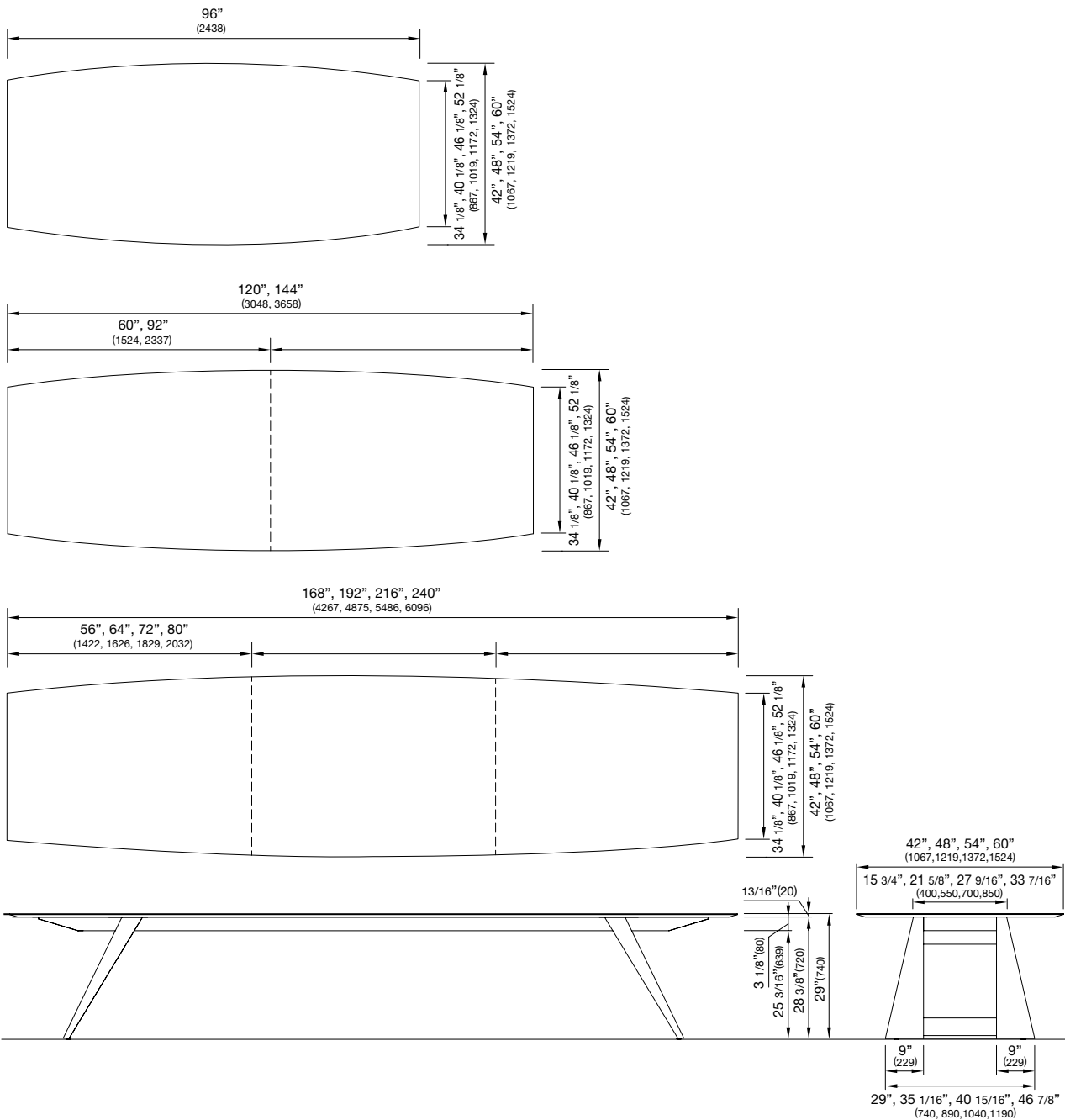


Boat

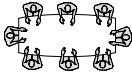
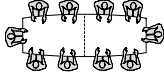
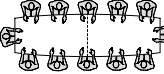
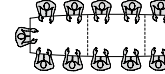
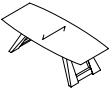
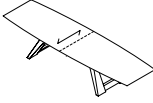
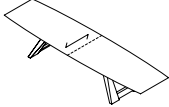
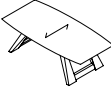
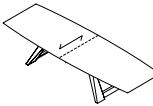
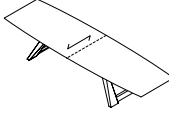
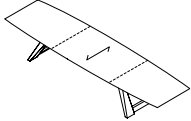
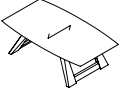
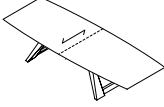
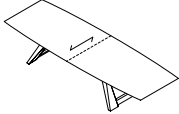
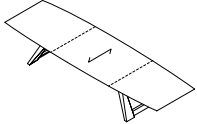
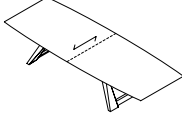
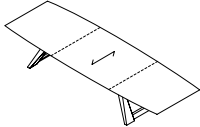


Oval

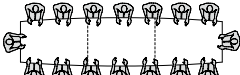
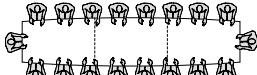
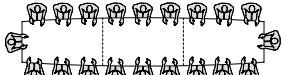
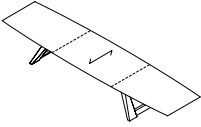
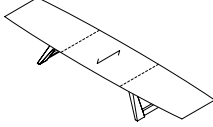
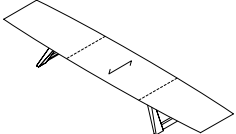
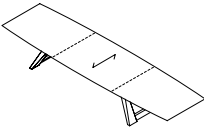
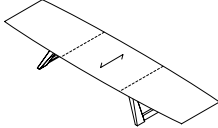
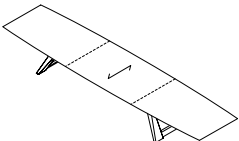
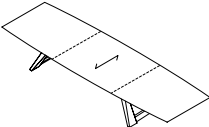
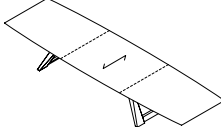
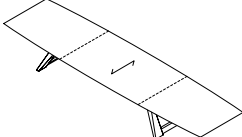
Drawing



v collection

Dimensions		Length			
		96" (2438)	120" (3048)	144" (3658)	168" (4267)
		 8 Person	 10 Person	 12 Person	 14 Person
Height	Width				
42" (1067)					
48" (1219)					
29" (740)					
54" (1372)					
60" (1524)					

← grain direction - - - - split line inches (mm)

Dimensions		Length		
		192" (4875)	216" (5486)	240" (6096)
		 16 Person	 18 Person	 20 Person
Height	Width			
48" (1219)				
29" (740)	54" (1372)			
60" (1524)				

← grain direction - - - - split line inches (mm)

Finishes

Top Edges



Knife



Flat



Flat metallic

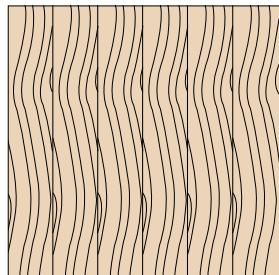
Beam Finish



A101 | brushed & anodized aluminum

Veneer cut & match diagram

Veneer cut : Quarter cut
Veneer match : Slip match



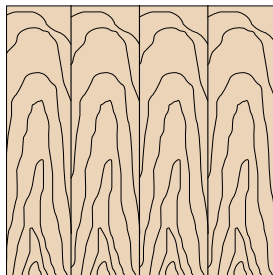
Natural Wood Veneer

- WE51** | Dyed Oak
- WE52** | Dark Sapele
- WE54** | Teak
- WE56** | Figured Maple
- WG57** | Paldao

Reconstituted Veneer

- WG51** | Oak Chrome
- WG52** | Oak Grey
- WG53** | Ziricote
- WG54** | Walnut Tropical
- WG55** | Ebony Light

Veneer cut : Flat cut
Veneer match : Slip match



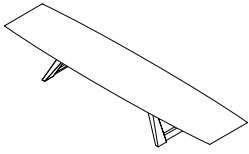
Natural Wood Veneer

- WE53** | Walnut
- WE55** | Oak

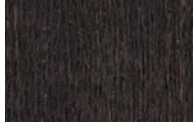
Reconstituted Veneer

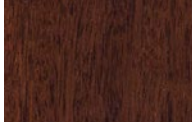
- WG56** | Walnut


Finishes of v collection





■ Natural wood veneer


WE51  Top / Legs
WE51: Dyed Oak
(Quarter Cut / Slip Match)


WE52  Top / Legs
WE52: Dark Sapele
(Quarter Cut / Slip Match)

WE53  Top / Legs
WE53: Walnut
(Flat Cut / Slip Match)


WE54  Top / Legs
WE54: Teak
(Quarter Cut / Slip Match)


WE55  Top / Legs
WE55: Oak
(Flat Cut / Slip Match)

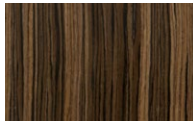
WE56  Top / Legs
WE56: Figured Maple
(Quarter Cut / Slip Match)


WG57  Top / Legs
WG57: Paldao
(Quarter Cut / Slip Match)

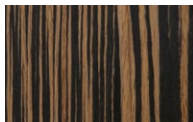
■ Reconstituted wood

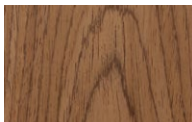
WG51  Top / Legs
WG51: Oak Chrome
(Quarter Cut / Slip Match)

WG52  Top / Legs
WG52: Oak Gray
(Quarter Cut / Slip Match)

WG53  Top / Legs
WG53: Ziricote
(Quarter Cut / Slip Match)

WG54  Top / Legs
WG54: Walnut Tropical
(Quarter Cut / Slip Match)

WG55  Top / Legs
WG55: Ebony Light
(Quarter Cut / Slip Match)

WG56  Top / Legs
WG56: Walnut
(Flat Cut / Slip Match)

Integrated Technology |

Integrated technology is concealed within each design, allowing for future flexibility. As technology tools advance toward wireless offices, Traverse locates power and data in its Tech Cradle—a small connective box discreetly tucked under the tabletop. Cables are hidden within the legs, ensuring a polished look and more usable space.

- All four legs have large wiring capacity.
- Maintenance is easy with removable leg covers.
- Traverse comes with a removable duct under the tabletop which can be used to store excess cables.
- Traverse utilizes 4-wire, 2-circuit electrical module system for power sourcing.
- The Tech Cradle and wiring kit must be installed by a professional furniture installer.
- An arrangement of small wiring holes can be created on tabletop if specified.

Chicago Electrical Requirements

The city of Chicago may require hardwiring of electrical components. For Chicago applications, Okamura provides Tech Cradle with hardwired power cord. Electrical components such as junction boxes, power infeed and jumpers must be purchased separately. Chicago-specified Tech Cradle contains all standard voice/data components.

Other Municipality Electrical Requirements

Other metropolitan areas besides Chicago may have special electrical requirements as well. Consult a local electrical contractor for proper code compliance information.



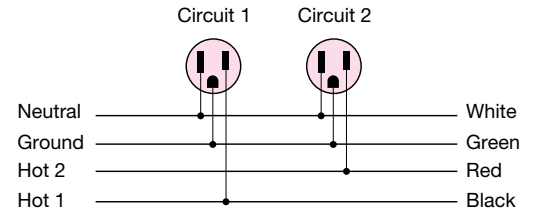
v collection



Power Source Diagram

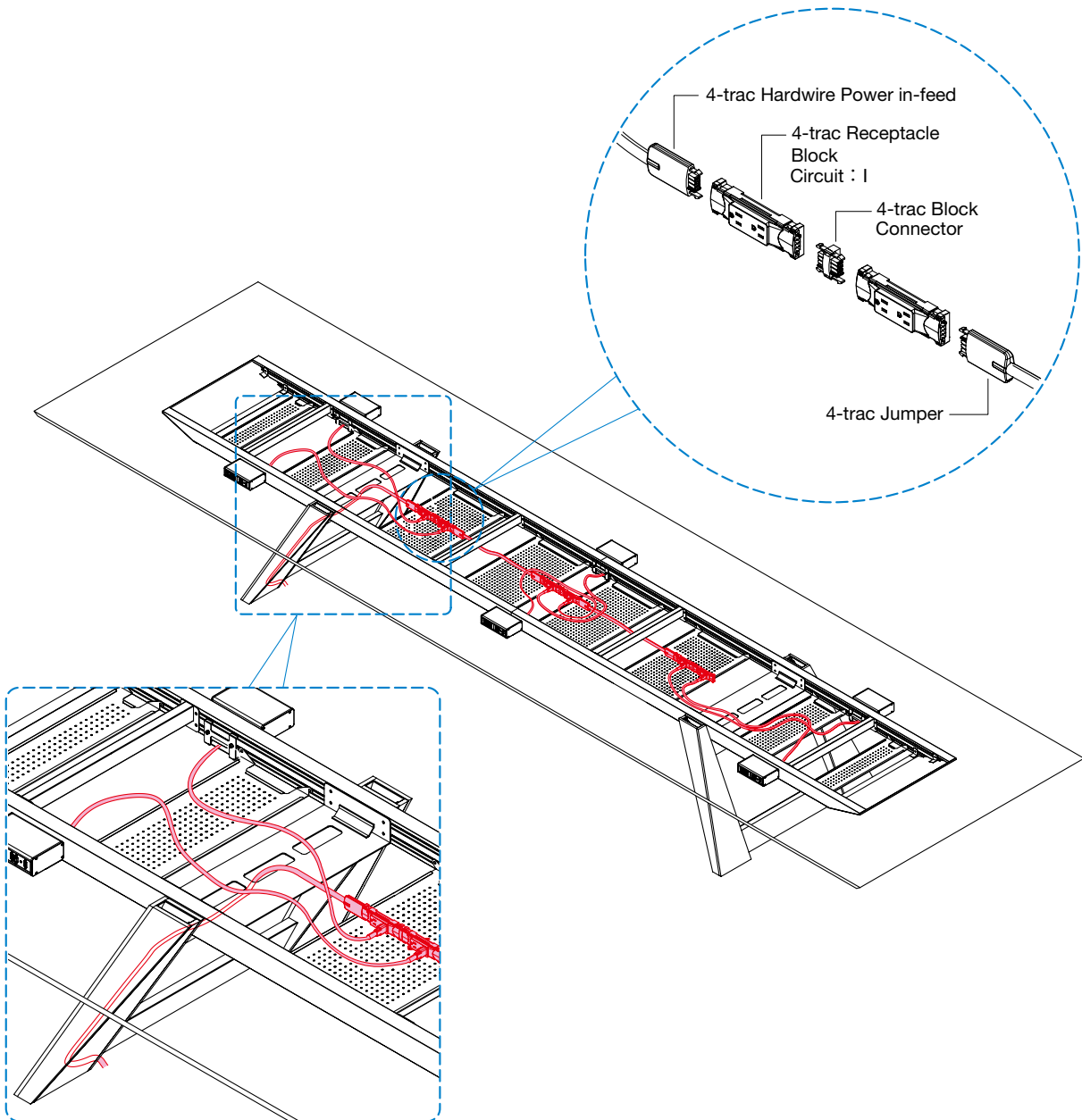
- Utilizes 4-wire, 2-circuit electrical module system as power source for each Tech Cradle.
- Each Tech Cradle will be plugged in to receptacle block of electrical module system.
- All receptacle blocks are specified with only 1-circuit as standard. Receptacle blocks with 2-circuit can be ordered as an option.
- 20-amp hardwire power infeed is standard. A licensed electrician is required to complete hardwire connections to building's power source. Plug-in power infeed option available.
- 4-wire, 2-circuit electrical system supplied for standard hardwire infeed. Single circuit electrical system supplied for optional plug-in power infeed.
- Hardwire power infeed is 72" from the first receptacle block as standard. Longer hardwire power infeed is available as an option.
- Hardwire power infeed is a flexible metal conduit as standard. Liquid-tight conduit option available.
- All wires are 12 gauge
- The Tech Cradle and power source cable kit are UL listed for upholding strict safety standards.

Electrical Diagram for Hardwire Power Infeed



Note : For two circuits, Hot 1+2 should be connected to opposite sides of 240v bus.

v collection



Specifying Integrated Technology

Step 1 – Specify power source cable kit

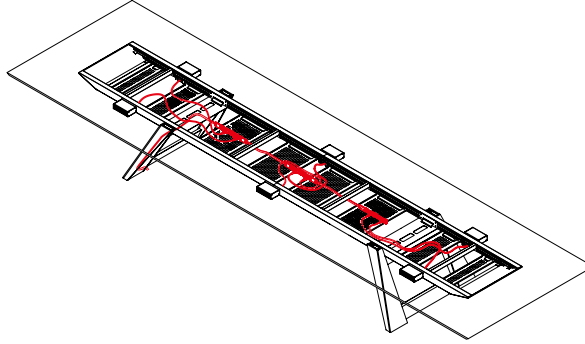
- Size of the table
- Choose number of outlets
- Receptacles with 2-circuit will be available as an option

Step 2 – Specify Tech Cradle

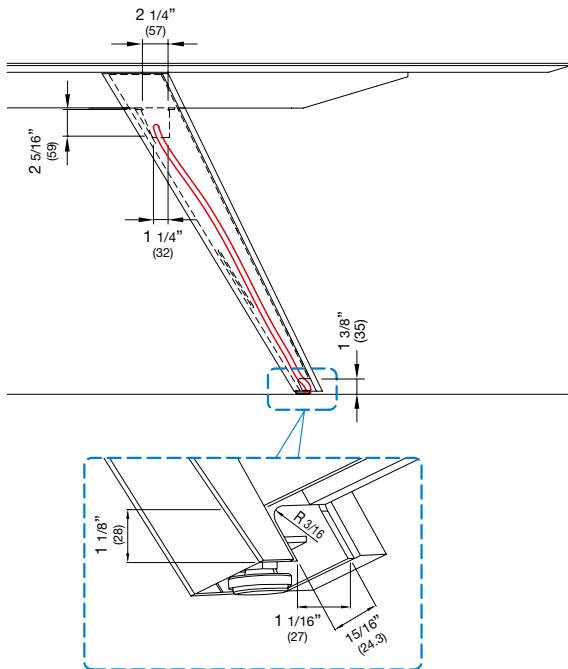
- Select the configuration of Tech Cradle
- Choose number of each Tech Cradle

Wire routing details

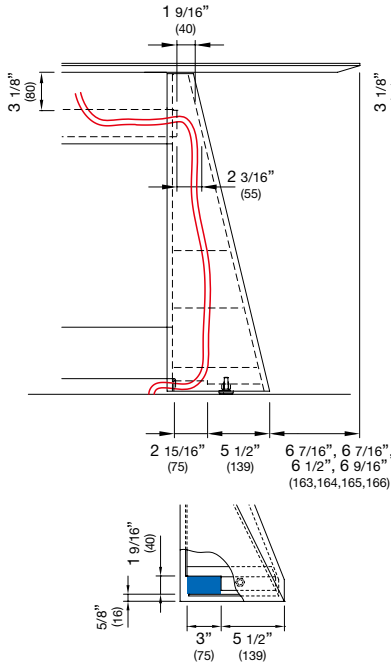
v collection



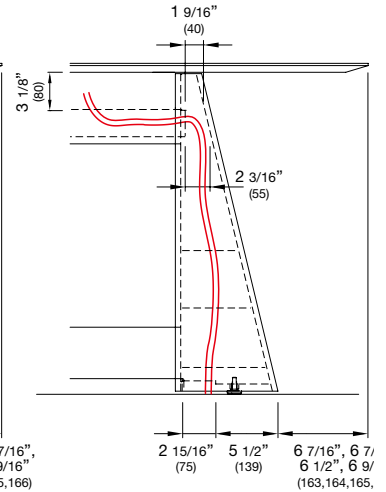
Effective dimensions from the leg to the duct



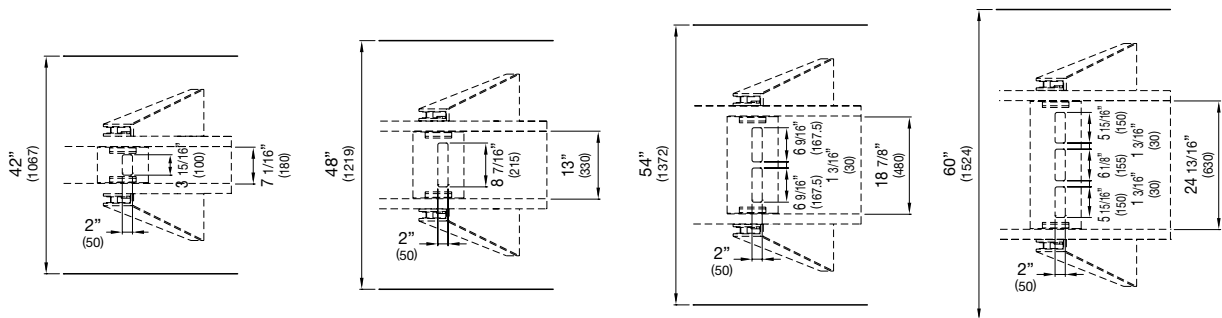
Case 1 : Utilizing side opening



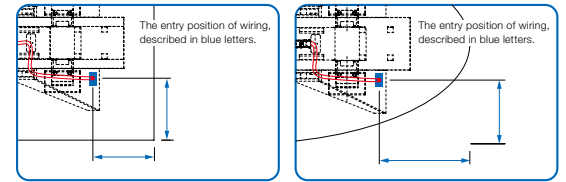
Case 2 : Utilizing bottom opening



Effective wiring duct dimensions

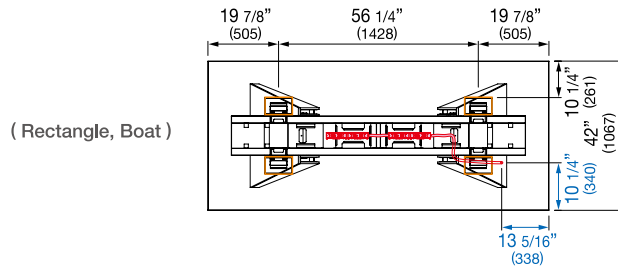


Tech Cradle mounting position and dedicated power source cable kit

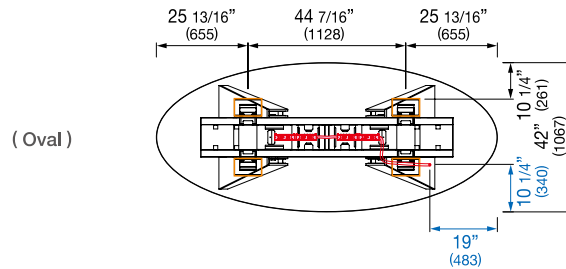


96"L

Fewer Tech Cradles **8 Person / 4 Tech Cradles / 8 Outlets**

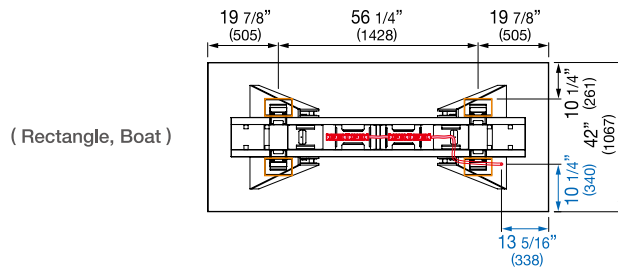


Item code of power source cable kit : **4LHPEA-Y647**

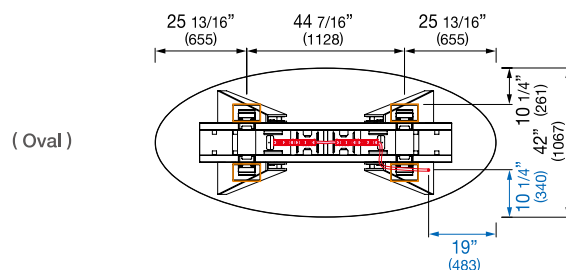


Item code of power source cable kit : **4LHPEA-Y647**

More Tech Cradles **8 Person / 4 Tech Cradles / 8 Outlets**



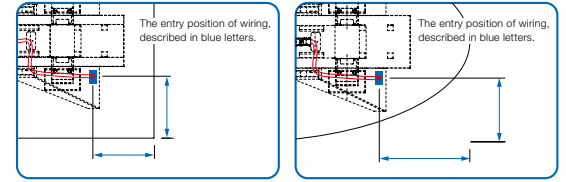
Item code of power source cable kit : **4LHPEA-Y647**



Item code of power source cable kit : **4LHPEA-Y647**

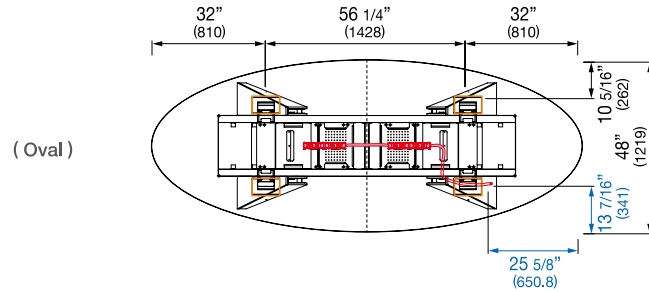
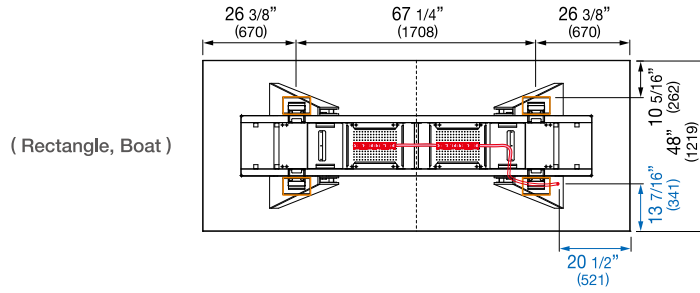
* Power source cable kit does not include Tech Cradle. Tech Cradle needs to be specified separately. Tech Cradles

Tech Cradle mounting position and dedicated power source cable kit

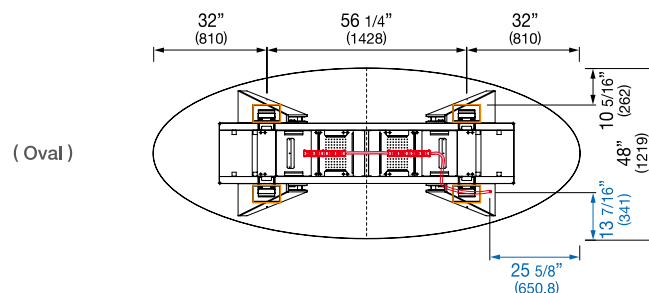
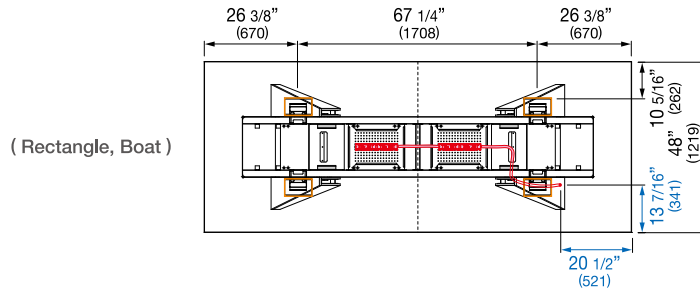


120"L

Fewer Tech Cradles **10 Person / 4 Tech Cradles / 8 Outlets**

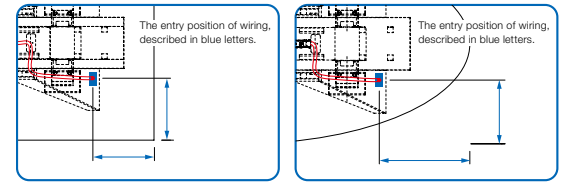


More Tech Cradles **10 Person / 4 Tech Cradles / 8 Outlets**



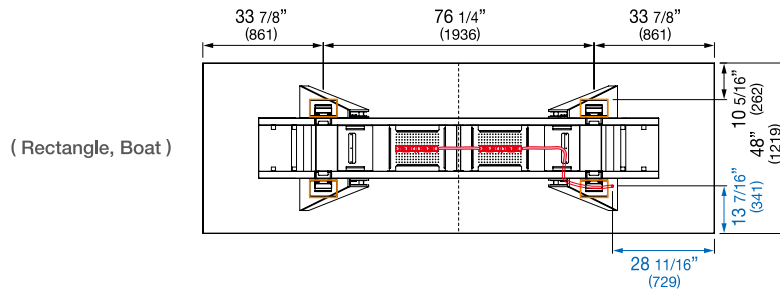
* Power source cable kit does not include Tech Cradle. Tech Cradle needs to be specified separately.  Tech Cradles

Tech Cradle mounting position and dedicated power source cable kit

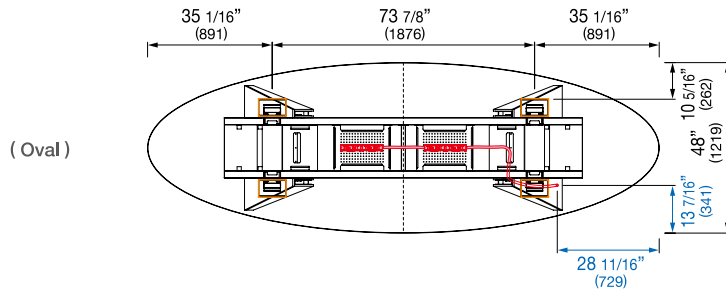


144" L

Fewer Tech Cradles **12 Person / 4 Tech Cradles / 12 Outlets**

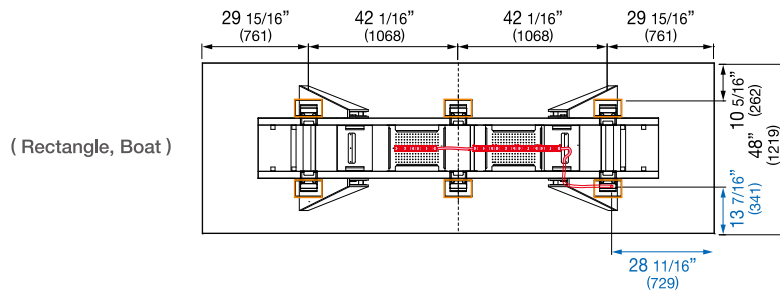


Item code of power source cable kit : **4LHPFB-Y647**

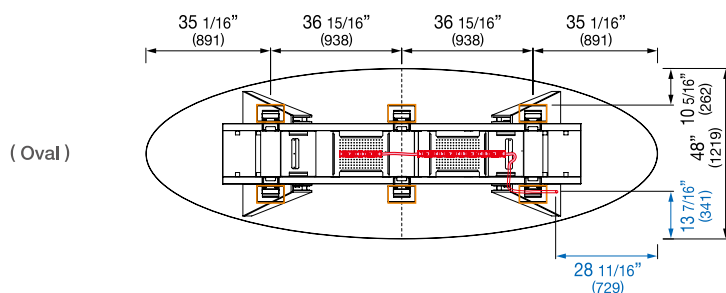


Item code of power source cable kit : **4LHPFB-Y647**

More Tech Cradles **12 Person / 6 Tech Cradles / 8 Outlets**



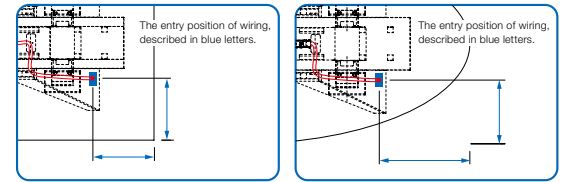
Item code of power source cable kit : **4LHPEB-Y647**



Item code of power source cable kit : **4LHPEB-Y647**

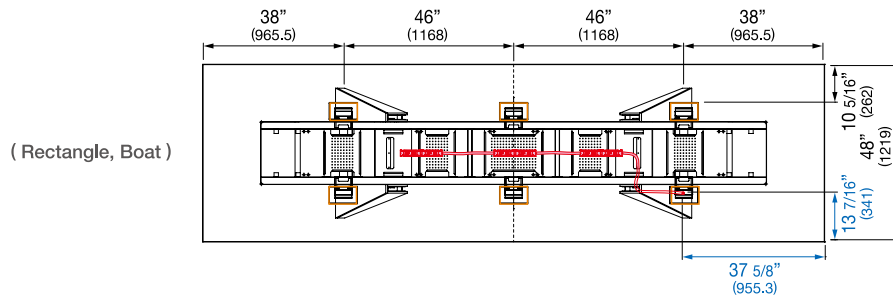
* Power source cable kit does not include Tech Cradle. Tech Cradle needs to be specified separately. □ Tech Cradles

Tech Cradle mounting position and dedicated power source cable kit

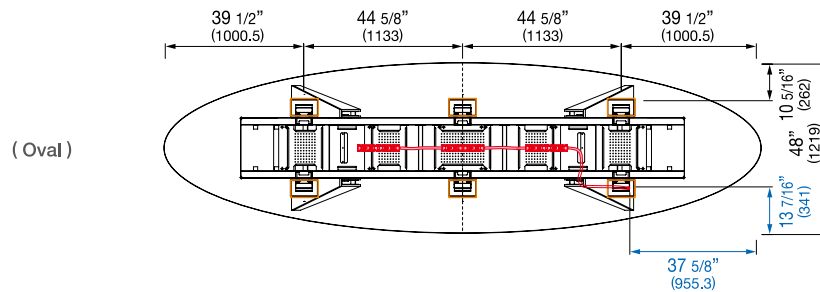


168" L

Fewer Tech Cradles **14 Person / 6 Tech Cradles / 16 Outlets**

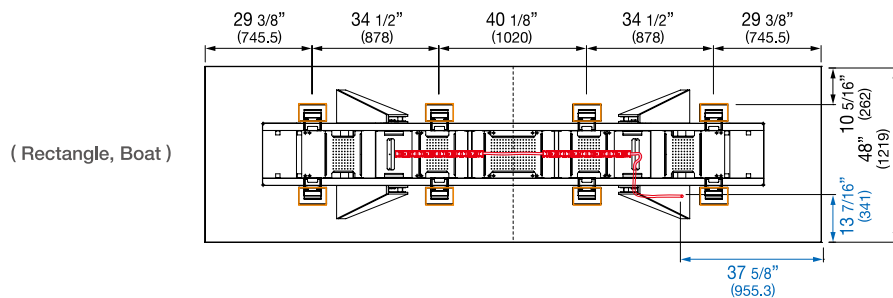


Item code of power source cable kit : **4LHPFF-Y647**

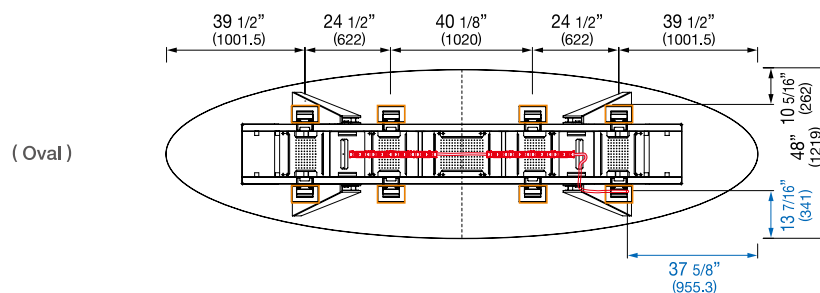


Item code of power source cable kit : **4LHPFF-Y647**

More Tech Cradles **14 Person / 8 Tech Cradles / 12 Outlets**



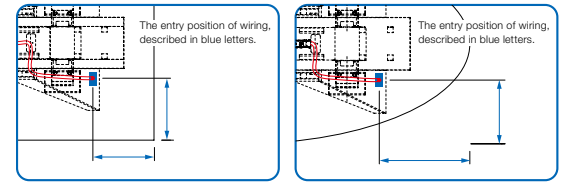
Item code of power source cable kit : **4LHPEC-Y647**



Item code of power source cable kit : **4LHPEC-Y647**

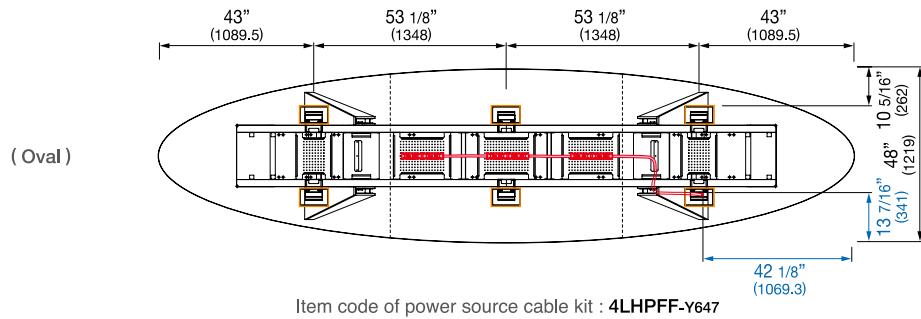
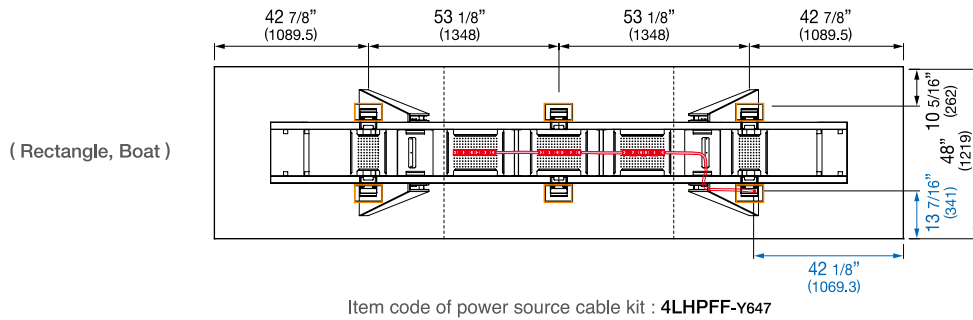
* Power source cable kit does not include Tech Cradle. Tech Cradle needs to be specified separately. □ Tech Cradles

Tech Cradle mounting position and dedicated power source cable kit

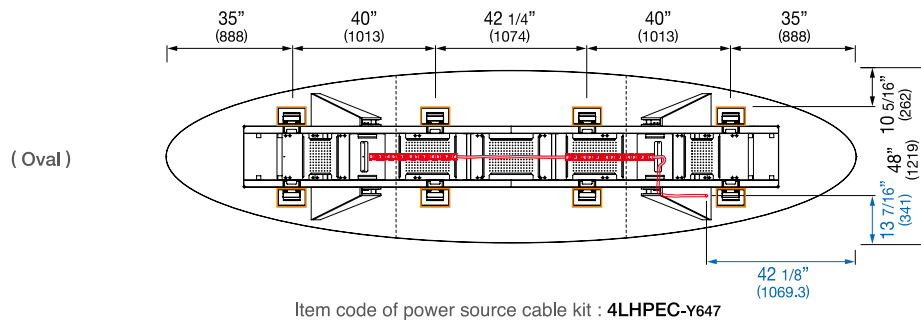
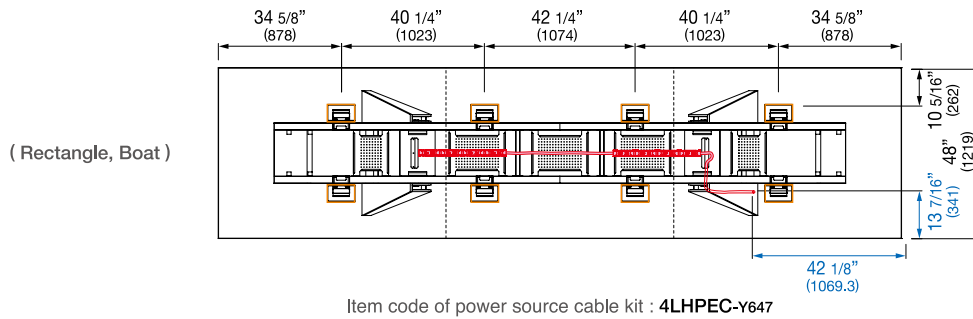


192" L

Fewer Tech Cradles **16 Person / 6 Tech Cradles / 16 Outlets**

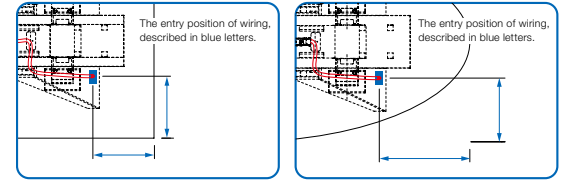


More Tech Cradles **16 Person / 8 Tech Cradles / 12 Outlets**



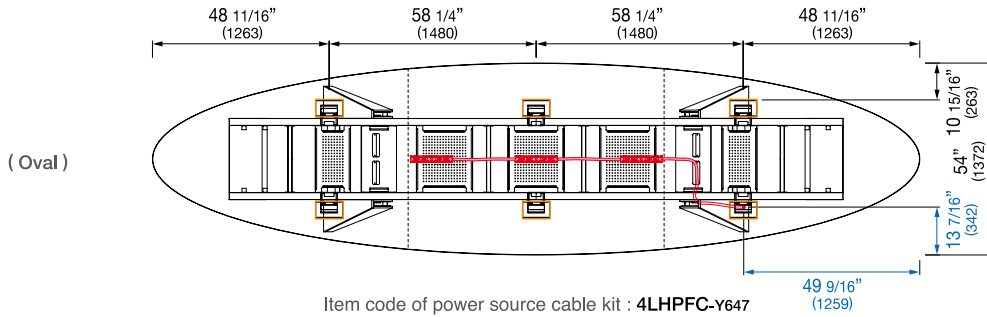
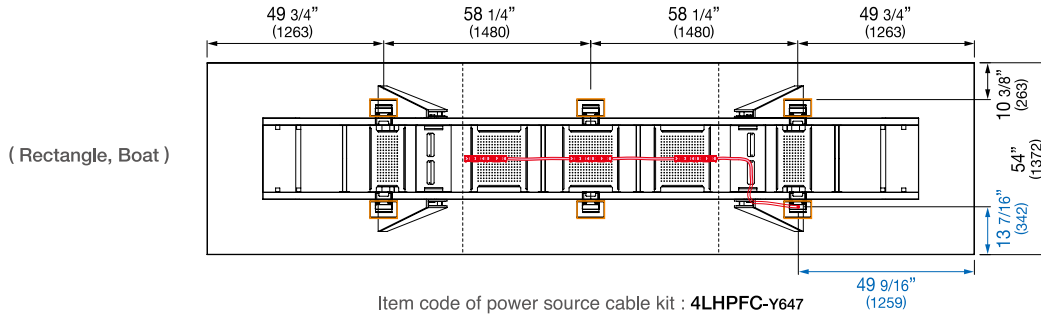
* Power source cable kit does not include Tech Cradle. Tech Cradle needs to be specified separately. □ Tech Cradles

Tech Cradle mounting position and dedicated power source cable kit

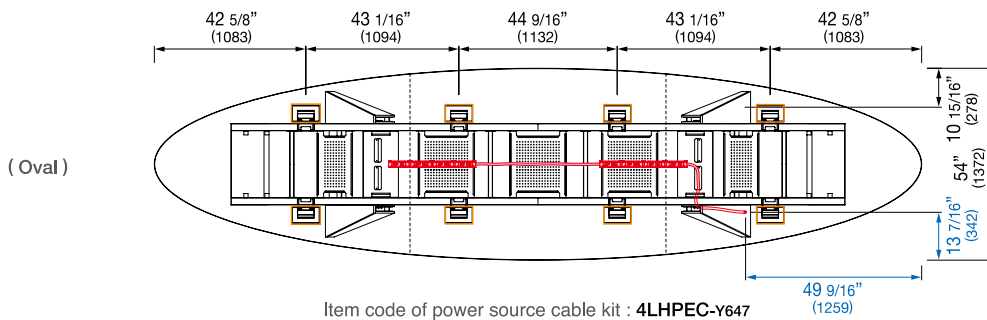
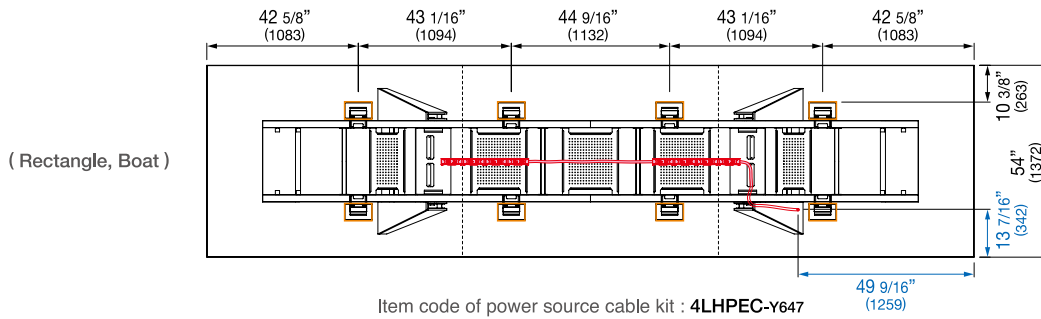


216" L

Fewer Tech Cradles **18 Person / 6 Tech Cradles / 16 Outlets**

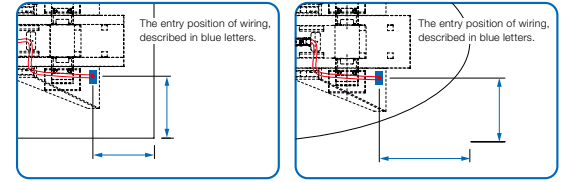


More Tech Cradles **18 Person / 8 Tech Cradles / 12 Outlets**



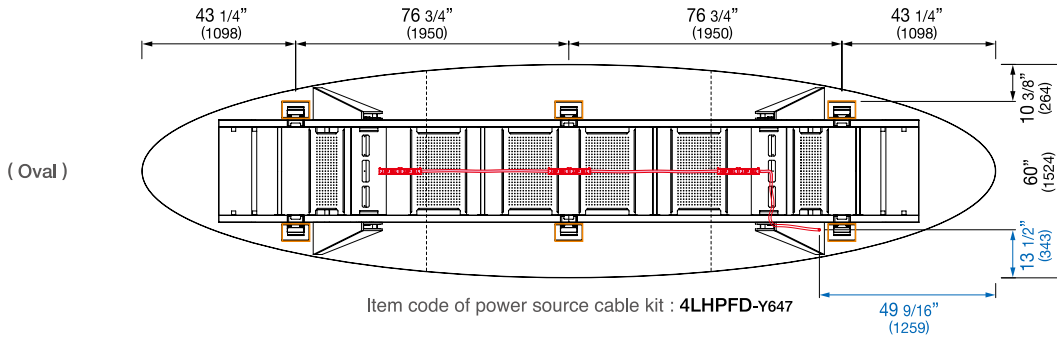
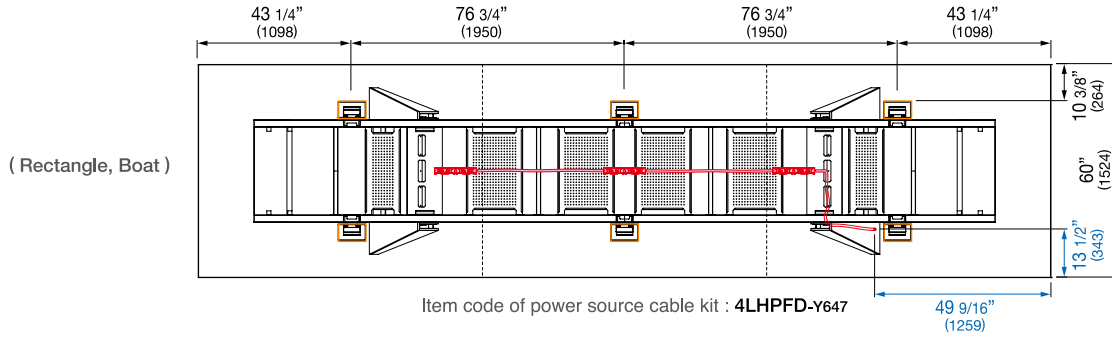
* Power source cable kit does not include Tech Cradle. Tech Cradle needs to be specified separately. □ Tech Cradles

Tech Cradle mounting position and dedicated power source cable kit

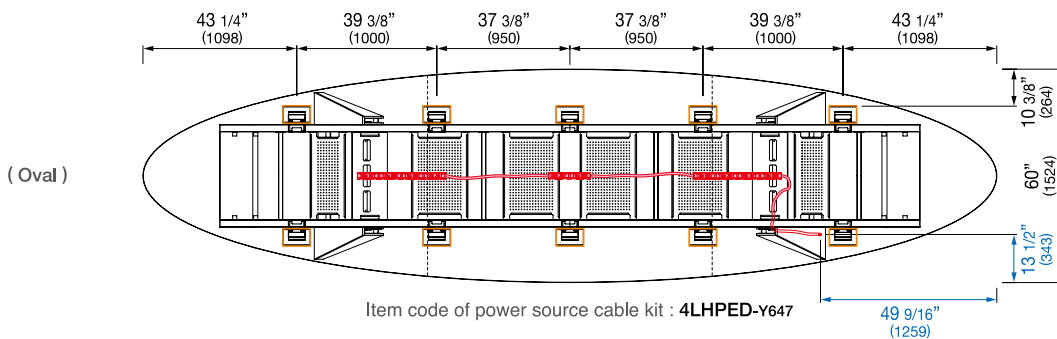
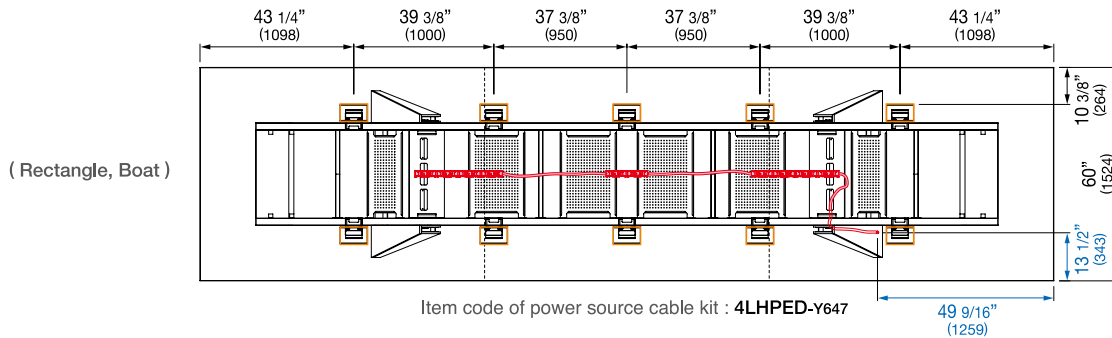


240" L

Fewer Tech Cradles **20 Person / 6 Tech Cradles / 20 Outlets**



More Tech Cradles **20 Person / 10 Tech Cradles / 12 Outlets**



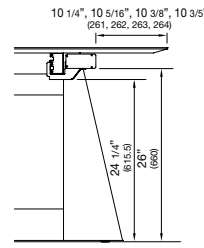
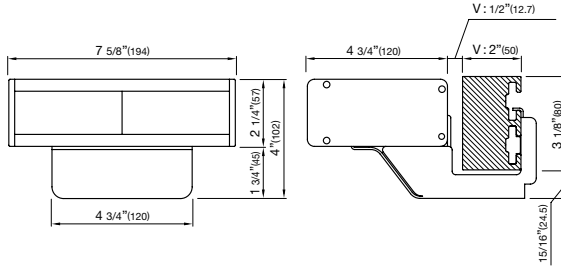
* Power source cable kit does not include Tech Cradle. Tech Cradle needs to be specified separately. □ Tech Cradles

Tech Cradle

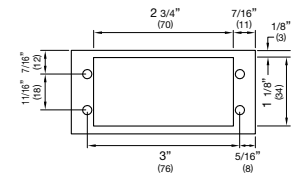
The Tech Cradle is a power and data supply unit created especially for Traverse. It mounts neatly on the beam under the tabletop. The Tech Cradle is generally comprised of a power supply module (left) and a data module (right). Please arrange wiring separately depending on table size.



- Tech Cradle is designed to accept Extron AAP plates.
- Standard Data module options : a) blank plate b) AV c) Phone/Data.
- Cables to connect each Data module such as HDMI cables and Phone/Data cables must be purchased separately.
- Standard Extron AAP plates can also be integrated in the Tech Cradle. For special applications specify a blank plate and purchase Extron AAP plates directly from Extron : <http://www.extron.com/company/article.aspx?id=aapmaap>. It is the responsibility of the user's technical staff to field install. Opening of data module allows for two single AAP plates.
- The Tech Cradle is UL listed for upholding strict safety standards.



Drawing of the opening for Extron AAP plate



	Power	Data	Cord for Power module	Product Code
	Two Power Outlets	Blank Plate	w/(1) 72" cord	4LHPAB-A03
			w/(1) 72" hardwire cord	4LHPCB-A03
	Two Power Outlets	AV (1) HDMI : HDMI female to female 10" (25cm) pigtail (1) VGA : 15-pin female to female on 6" (15cm) pigtail (1) AUDIO : 3.5 mm stereo mini jack to captive screw on 10" (25cm) pigtail (1) USB signal : USB A female to female on 10" (25cm) pigtail	w/(1) 72" cord	4LHPAS-A03
			w/(1) 72" hardwire cord	4LHPCS-A03
	Two Power Outlets	Phone/Data module (1) RJ-11 jack w/72" cable (1) RJ-45 CAT6 Jack w/72" CAT6 Network cable	w/(1) 72" cord	4LHPAT-A03
			w/(1) 72" hardwire cord	4LHPCT-A03
	One Power Outlet / Two USB Chargers	Blank Plate	w/(1) 72" cord	4LHPBB-A03
			w/(1) 72" hardwire cord	4LHPDB-A03
	One Power Outlet / Two USB Chargers	AV (1) HDMI : HDMI female to female 10" (25cm) pigtail (1) VGA : 15-pin female to female on 6" (15cm) pigtail (1) AUDIO : 3.5 mm stereo mini jack to captive screw on 10" (25cm) pigtail (1) USB signal : USB A female to female on 10" (25cm) pigtail	w/(1) 72" cord	4LHPBS-A03
			w/(1) 72" hardwire cord	4LHPDS-A03
	One Power Outlet / Two USB Chargers	Phone/Data module (1) RJ-11 jack w/72" cable (1) RJ-45 CAT6 Jack w/72" CAT6 Network cable	w/(1) 72" cord	4LHPBT-A03
			w/(1) 72" hardwire cord	4LHPDT-A03
	Two Power Outlets / One Power Outlet Two USB Chargers		w/(2) 72" cord with plug	4LHPAU-A03
			w/(2) 72" hardwire cord	4LHPCU-A03
	Two Power Outlets / Two Power Outlets		w/(2) 72" cord with plug	4LHPAA-A03
			w/(2) 72" hardwire cord	4LHPCC-A03

Layout Sample

ROOM 1

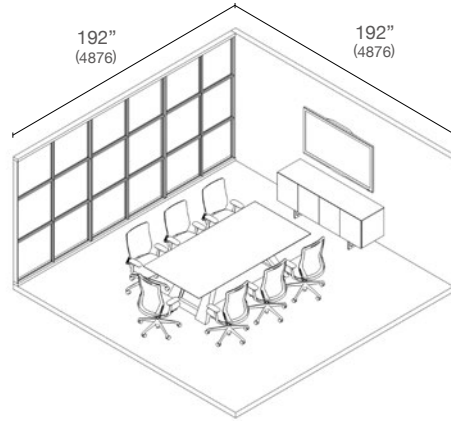


Table / traverse v collection (L96"×W48"×H29")
Chair / Choral (8 qty)
Credenza / Aluminum base (L60"×W20"×H29")

ROOM 2

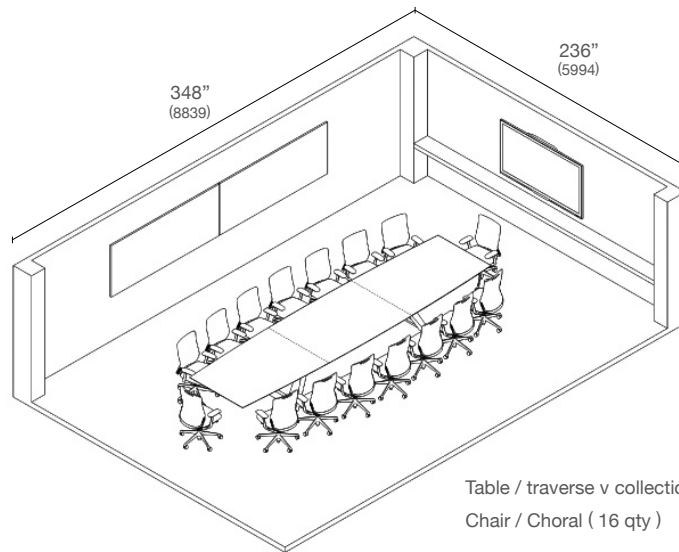


Table / traverse v collection (L216"×W54"×H29")
Chair / Choral (16 qty)

ROOM 3

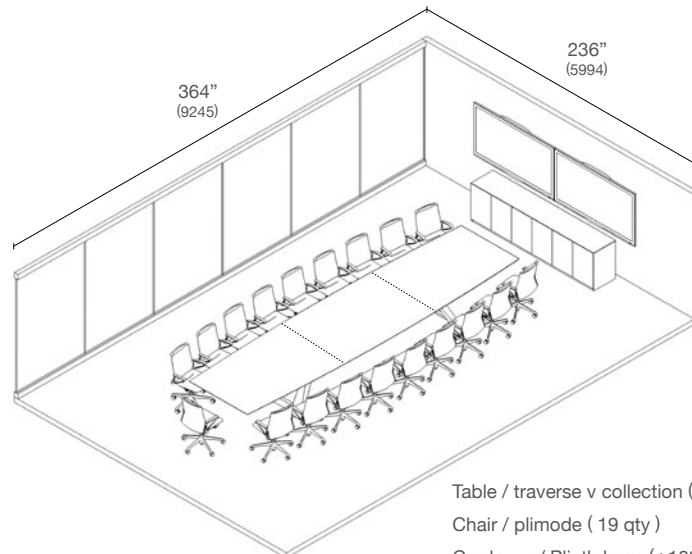
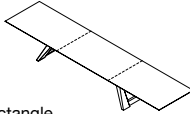
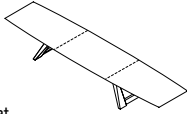
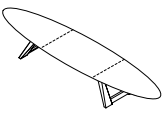


Table / traverse v collection (L240"×W60"×H29")
Chair / plimode (19 qty)
Credenza / Plinth base (L108"×W20"×H29")

Product Codes

v collection

					Product Code		
H	W	L	Top Finish	Top Edge	 Rectangle	 Boat	 Oval
29" (740)	42" (1067)	96" (2438)	Natural wood veneer	Knife	4LHVAA-WE51~56,WG57	4LHVGA-WE51~56,WG57	4LHVWA-WE51~56,WG57
				Flat	4LHVBA-WE51~56,WG57	4LHVHA-WE51~56,WG57	4LHVXA-WE51~56,WG57
				Flat metallic	4LHVDA-WE51~56,WG57	4LHVLA-WE51~56,WG57	4LHVZA-WE51~56,WG57
			Reconstituted wood	Knife	4LHVAA-WG51~56	4LHVGA-WG51~56	4LHVWA-WG51~56
				Flat	4LHVBA-WG51~56	4LHVHA-WG51~56	4LHVXA-WG51~56
				Flat metallic	4LHVDA-WG51~56	4LHVLA-WG51~56	4LHVZA-WG51~56
		120" (3048)	Natural wood veneer	Knife	4LHVAC-WE51~56,WG57	4LHVGC-WE51~56,WG57	4LHVWC-WE51~56,WG57
				Flat	4LHVBC-WE51~56,WG57	4LHVHC-WE51~56,WG57	4LHVXC-WE51~56,WG57
				Flat metallic	4LHVDC-WE51~56,WG57	4LHVLC-WE51~56,WG57	4LHVZC-WE51~56,WG57
			Reconstituted wood	Knife	4LHVAC-WG51~56	4LHVGC-WG51~56	4LHVWC-WG51~56
				Flat	4LHVBC-WG51~56	4LHVHC-WG51~56	4LHVXC-WG51~56
				Flat metallic	4LHVDC-WG51~56	4LHVLC-WG51~56	4LHVZC-WG51~56
		144" (3658)	Natural wood veneer	Knife	4LHVAB-WE51~56,WG57	4LHVGB-WE51~56,WG57	4LHVWB-WE51~56,WG57
				Flat	4LHVBB-WE51~56,WG57	4LHVHB-WE51~56,WG57	4LHVXB-WE51~56,WG57
				Flat metallic	4LHVDB-WE51~56,WG57	4LHVLB-WE51~56,WG57	4LHVZB-WE51~56,WG57
			Reconstituted wood	Knife	4LHVAB-WG51~56	4LHVGB-WG51~56	4LHVWB-WG51~56
				Flat	4LHVBB-WG51~56	4LHVHB-WG51~56	4LHVXB-WG51~56
				Flat metallic	4LHVDB-WG51~56	4LHVLB-WG51~56	4LHVZB-WG51~56

<About product code>

The product codes of Okamura items consist of numbers and letters, and in general the 6-digit product code No. and 4-digit specification (color) code No.

- Natural wood veneer / WE51 Dyed Oak, WE52 Dark Sapele, WE53 Walnut, WE54 Teak, WE55 Oak, WE56 Figured Maple, WG57 Paldao
- Reconstituted wood / WG51 Oak Chrome, WG52 Oak Gray, WG53 Zircote, WG54 Walnut Tropical, WG55 Ebony Light, WG56 Walnut

4LHVAA-WE51
 Product code (6 digits) Specification (color code)

Product Codes

v collection

H	W	L	Top Finish	Top Edge	Product Code		
					Rectangle	Boat	Oval
29" (740)	48" (1219)	96" (2438)	Natural wood veneer	Knife	4LHVAJ-WE51~56,WG57	4LHVGJ-WE51~56,WG57	4LHVWJ-WE51~56,WG57
				Flat	4LHVBJ-WE51~56,WG57	4LHVHJ-WE51~56,WG57	4LHVXJ-WE51~56,WG57
				Flat metallic	4LHVDJ-WE51~56,WG57	4LHVLJ-WE51~56,WG57	4LHVZJ-WE51~56,WG57
			Reconstituted wood	Knife	4LHVAJ-WG51~56	4LHVGJ-WG51~56	4LHVWJ-WG51~56
				Flat	4LHVBJ-WG51~56	4LHVHJ-WG51~56	4LHVXJ-WG51~56
				Flat metallic	4LHVDJ-WG51~56	4LHVLJ-WG51~56	4LHVZJ-WG51~56
		120" (3048)	Natural wood veneer	Knife	4LHVAD-WE51~56,WG57	4LHVGD-WE51~56,WG57	4LHVWD-WE51~56,WG57
				Flat	4LHVBD-WE51~56,WG57	4LHVHD-WE51~56,WG57	4LHVXD-WE51~56,WG57
				Flat metallic	4LHVDD-WE51~56,WG57	4LHVLD-WE51~56,WG57	4LHVZD-WE51~56,WG57
			Reconstituted wood	Knife	4LHVAD-WG51~56	4LHVGD-WG51~56	4LHVWD-WG51~56
				Flat	4LHVBD-WG51~56	4LHVHD-WG51~56	4LHVXD-WG51~56
				Flat metallic	4LHVDD-WG51~56	4LHVLD-WG51~56	4LHVZD-WG51~56
		144" (3658)	Natural wood veneer	Knife	4LHVAK-WE51~56,WG57	4LHV GK-WE51~56,WG57	4LHVWK-WE51~56,WG57
				Flat	4LHV BK-WE51~56,WG57	4LHVHK-WE51~56,WG57	4LHVXK-WE51~56,WG57
				Flat metallic	4LHV DK-WE51~56,WG57	4LHV LK-WE51~56,WG57	4LHVZK-WE51~56,WG57
			Reconstituted wood	Knife	4LHVAK-WG51~56	4LHV GK-WG51~56	4LHVWK-WG51~56
				Flat	4LHV BK-WG51~56	4LHVHK-WG51~56	4LHVXK-WG51~56
				Flat metallic	4LHV DK-WG51~56	4LHV LK-WG51~56	4LHVZK-WG51~56
		168" (4267)	Natural wood veneer	Knife	4LHVAE-WE51~56,WG57	4LHVGE-WE51~56,WG57	4LHVWE-WE51~56,WG57
				Flat	4LHVBE-WE51~56,WG57	4LHVHE-WE51~56,WG57	4LHVXE-WE51~56,WG57
				Flat metallic	4LHVDE-WE51~56,WG57	4LHVLE-WE51~56,WG57	4LHVZE-WE51~56,WG57
			Reconstituted wood	Knife	4LHVAE-WG51~56	4LHVGE-WG51~56	4LHVWE-WG51~56
				Flat	4LHVBE-WG51~56	4LHVHE-WG51~56	4LHVXE-WG51~56
				Flat metallic	4LHVDE-WG51~56	4LHVLE-WG51~56	4LHVZE-WG51~56
		192" (4875)	Natural wood veneer	Knife	4LHVAF-WE51~56,WG57	4LHVGF-WE51~56,WG57	4LHVWF-WE51~56,WG57
				Flat	4LHVBF-WE51~56,WG57	4LHVHF-WE51~56,WG57	4LHVXF-WE51~56,WG57
				Flat metallic	4LHVDF-WE51~56,WG57	4LHVLF-WE51~56,WG57	4LHVZF-WE51~56,WG57
			Reconstituted wood	Knife	4LHVAF-WG51~56	4LHVGF-WG51~56	4LHVWF-WG51~56
				Flat	4LHVBF-WG51~56	4LHVHF-WG51~56	4LHVXF-WG51~56
				Flat metallic	4LHVDF-WG51~56	4LHVLF-WG51~56	4LHVZF-WG51~56
		216" (5486)	Natural wood veneer	Knife	4LHV AL-WE51~56,WG57	4LHVGL-WE51~56,WG57	4LHVWL-WE51~56,WG57
				Flat	4LHVBL-WE51~56,WG57	4LHVHL-WE51~56,WG57	4LHVXL-WE51~56,WG57
				Flat metallic	4LHV DL-WE51~56,WG57	4LHVLL-WE51~56,WG57	4LHVZL-WE51~56,WG57
			Reconstituted wood	Knife	4LHV AL-WG51~56	4LHVGL-WG51~56	4LHVWL-WG51~56
				Flat	4LHVBL-WG51~56	4LHVHL-WG51~56	4LHVXL-WG51~56
				Flat metallic	4LHV DL-WG51~56	4LHVLL-WG51~56	4LHVZL-WG51~56
		240" (6096)	Natural wood veneer	Knife	4LHVAM-WE51~56,WG57	4LHVGM-WE51~56,WG57	4LHVWM-WE51~56,WG57
				Flat	4LHVBM-WE51~56,WG57	4LHVHM-WE51~56,WG57	4LHVXM-WE51~56,WG57
				Flat metallic	4LHVDM-WE51~56,WG57	4LHVLM-WE51~56,WG57	4LHVZM-WE51~56,WG57
			Reconstituted wood	Knife	4LHVAM-WG51~56	4LHVGM-WG51~56	4LHVWM-WG51~56
				Flat	4LHVBM-WG51~56	4LHVHM-WG51~56	4LHVXM-WG51~56
				Flat metallic	4LHVDM-WG51~56	4LHVLM-WG51~56	4LHVZM-WG51~56

<About product code>

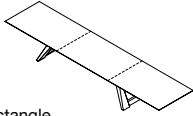
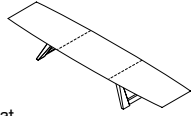
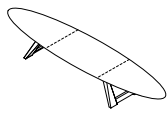
The product codes of Okamura items consist of numbers and letters, and in general the 6-digit product code No. and 4-digit specification (color) code No.

- Natural wood veneer / WE51 Dyed Oak, WE52 Dark Sapele, WE53 Walnut, WE54 Teak, WE55 Oak, WE56 Figured Maple, WG57 Paldao
- Reconstituted wood / WG51 Oak Chrome, WG52 Oak Gray, WG53 Ziricote, WG54 Walnut Tropical, WG55 Ebony Light, WG56 Walnut

4LHVAA-WE51
 Product code (6 digits) | Specification (color code)

Product Codes

v collection

						Product Code		
H	W	L	Top Finish	Top Edge				
						Rectangle	Boat	Oval
29" (740)	54" (1372)	96" (2438)	Natural wood veneer	Knife	4LHVAQ-WE51~56,WG57	4LHVGG-WE51~56,WG57	4LHVWQ-WE51~56,WG57	
				Flat	4LHVBQ-WE51~56,WG57	4LHVHQ-WE51~56,WG57	4LHVXQ-WE51~56,WG57	
				Flat metallic	4LHVDQ-WE51~56,WG57	4LHVLQ-WE51~56,WG57	4LHVZQ-WE51~56,WG57	
			Reconstituted wood	Knife	4LHVAQ-WG51~56	4LHVGG-WG51~56	4LHVWQ-WG51~56	
				Flat	4LHVBQ-WG51~56	4LHVHQ-WG51~56	4LHVXQ-WG51~56	
				Flat metallic	4LHVDQ-WG51~56	4LHVLQ-WG51~56	4LHVZQ-WG51~56	
		120" (3048)	Natural wood veneer	Knife	4LHVAG-WE51~56,WG57	4LHVGG-WE51~56,WG57	4LHVWG-WE51~56,WG57	
				Flat	4LHVBG-WE51~56,WG57	4LHVHG-WE51~56,WG57	4LHVXG-WE51~56,WG57	
				Flat metallic	4LHVDG-WE51~56,WG57	4LHVLG-WE51~56,WG57	4LHVZG-WE51~56,WG57	
			Reconstituted wood	Knife	4LHVAG-WG51~56	4LHVGG-WG51~56	4LHVWG-WG51~56	
				Flat	4LHVBG-WG51~56	4LHVHG-WG51~56	4LHVXG-WG51~56	
				Flat metallic	4LHVDG-WG51~56	4LHVLG-WG51~56	4LHVZG-WG51~56	
		144" (3658)	Natural wood veneer	Knife	4LHVAR-WE51~56,WG57	4LHVGR-WE51~56,WG57	4LHVWR-WE51~56,WG57	
				Flat	4LHVBR-WE51~56,WG57	4LHVHR-WE51~56,WG57	4LHVXR-WE51~56,WG57	
				Flat metallic	4LHVDR-WE51~56,WG57	4LHVLR-WE51~56,WG57	4LHVZR-WE51~56,WG57	
			Reconstituted wood	Knife	4LHVAR-WG51~56	4LHVGR-WG51~56	4LHVWR-WG51~56	
				Flat	4LHVBR-WG51~56	4LHVHR-WG51~56	4LHVXR-WG51~56	
				Flat metallic	4LHVDR-WG51~56	4LHVLR-WG51~56	4LHVZR-WG51~56	
		168" (4267)	Natural wood veneer	Knife	4LHVAH-WE51~56,WG57	4LHVGH-WE51~56,WG57	4LHVWH-WE51~56,WG57	
				Flat	4LHVBH-WE51~56,WG57	4LHVHH-WE51~56,WG57	4LHVXH-WE51~56,WG57	
				Flat metallic	4LHV DH-WE51~56,WG57	4LHV LH-WE51~56,WG57	4LHVZH-WE51~56,WG57	
			Reconstituted wood	Knife	4LHVAH-WG51~56	4LHVGH-WG51~56	4LHVWH-WG51~56	
				Flat	4LHVBH-WG51~56	4LHVHH-WG51~56	4LHVXH-WG51~56	
				Flat metallic	4LHV DH-WG51~56	4LHV LH-WG51~56	4LHVZH-WG51~56	
192" (4875)	Natural wood veneer	Knife	4LHVAI-WE51~56,WG57	4LHVGI-WE51~56,WG57	4LHVWI-WE51~56,WG57			
		Flat	4LHVBI-WE51~56,WG57	4LHVHI-WE51~56,WG57	4LHVXI-WE51~56,WG57			
		Flat metallic	4LHV DI-WE51~56,WG57	4LHV LI-WE51~56,WG57	4LHVZI-WE51~56,WG57			
	Reconstituted wood	Knife	4LHVAI-WG51~56	4LHVGI-WG51~56	4LHVWI-WG51~56			
		Flat	4LHVBI-WG51~56	4LHVHI-WG51~56	4LHVXI-WG51~56			
		Flat metallic	4LHV DI-WG51~56	4LHV LI-WG51~56	4LHVZI-WG51~56			
216" (5486)	Natural wood veneer	Knife	4LHVAS-WE51~56,WG57	4LHVGS-WE51~56,WG57	4LHVWS-WE51~56,WG57			
		Flat	4LHVBS-WE51~56,WG57	4LHVHS-WE51~56,WG57	4LHVXS-WE51~56,WG57			
		Flat metallic	4LHVDS-WE51~56,WG57	4LHVLS-WE51~56,WG57	4LHVZS-WE51~56,WG57			
	Reconstituted wood	Knife	4LHVAS-WG51~56	4LHVGS-WG51~56	4LHVWS-WG51~56			
		Flat	4LHVBS-WG51~56	4LHVHS-WG51~56	4LHVXS-WG51~56			
		Flat metallic	4LHVDS-WG51~56	4LHVLS-WG51~56	4LHVZS-WG51~56			
240" (6096)	Natural wood veneer	Knife	4LHVAT-WE51~56,WG57	4LHVGT-WE51~56,WG57	4LHVWT-WE51~56,WG57			
		Flat	4LHVBT-WE51~56,WG57	4LHVHT-WE51~56,WG57	4LHVXT-WE51~56,WG57			
		Flat metallic	4LHVDT-WE51~56,WG57	4LHVLT-WE51~56,WG57	4LHVZT-WE51~56,WG57			
	Reconstituted wood	Knife	4LHVAT-WG51~56	4LHVGT-WG51~56	4LHVWT-WG51~56			
		Flat	4LHVBT-WG51~56	4LHVHT-WG51~56	4LHVXT-WG51~56			
		Flat metallic	4LHVDT-WG51~56	4LHVLT-WG51~56	4LHVZT-WG51~56			

<About product code>

The product codes of Okamura items consist of numbers and letters, and in general the 6-digit product code No. and 4-digit specification (color) code No.

- Natural wood veneer / WE51 Dyed Oak, WE52 Dark Sapele, WE53 Walnut, WE54 Teak, WE55 Oak, WE56 Figured Maple, WG57 Paldao
- Reconstituted wood / WG51 Oak Chrome, WG52 Oak Gray, WG53 Zircote, WG54 Walnut Tropical, WG55 Ebony Light, WG56 Walnut

4LHVAA-WE51
 Product code (6 digits) | Specification (color code)

Product Codes

v collection

H	W	L	Top Finish	Top Edge	Product Code		
					Rectangle	Boat	Oval
29" (740)	60" (1524)	144" (3658)	Natural wood veneer	Knife	4LHVAX-WE51~56,WG57	4LHVGX-WE51~56,WG57	4LHVWX-WE51~56,WG57
				Flat	4LHV BX-WE51~56,WG57	4LHVHX-WE51~56,WG57	4LHVXX-WE51~56,WG57
				Flat metallic	4LHV DX-WE51~56,WG57	4LHV LX-WE51~56,WG57	4LHV ZX-WE51~56,WG57
			Reconstituted wood	Knife	4LHVAX-WG51~56	4LHV GX-WG51~56	4LHV WX-WG51~56
				Flat	4LHV BX-WG51~56	4LHV HX-WG51~56	4LHV XX-WG51~56
				Flat metallic	4LHV DX-WG51~56	4LHV LX-WG51~56	4LHV ZX-WG51~56
		168" (4267)	Natural wood veneer	Knife	4LHVAN-WE51~56,WG57	4LHVGN-WE51~56,WG57	4LHVWN-WE51~56,WG57
				Flat	4LHVBN-WE51~56,WG57	4LHVHN-WE51~56,WG57	4LHVXN-WE51~56,WG57
				Flat metallic	4LHV DN-WE51~56,WG57	4LHV LN-WE51~56,WG57	4LHV ZN-WE51~56,WG57
			Reconstituted wood	Knife	4LHVAN-WG51~56	4LHVGN-WG51~56	4LHVWN-WG51~56
				Flat	4LHVBN-WG51~56	4LHVHN-WG51~56	4LHVXN-WG51~56
				Flat metallic	4LHV DN-WG51~56	4LHV LN-WG51~56	4LHV ZN-WG51~56
		192" (4875)	Natural wood veneer	Knife	4LHVAP-WE51~56,WG57	4LHVGP-WE51~56,WG57	4LHVWP-WE51~56,WG57
				Flat	4LHVBP-WE51~56,WG57	4LHVHP-WE51~56,WG57	4LHVXP-WE51~56,WG57
				Flat metallic	4LHV DP-WE51~56,WG57	4LHV LP-WE51~56,WG57	4LHV ZP-WE51~56,WG57
			Reconstituted wood	Knife	4LHVAP-WG51~56	4LHVGP-WG51~56	4LHVWP-WG51~56
				Flat	4LHVBP-WG51~56	4LHVHP-WG51~56	4LHVXP-WG51~56
				Flat metallic	4LHV DP-WG51~56	4LHV LP-WG51~56	4LHV ZP-WG51~56
		216" (5486)	Natural wood veneer	Knife	4LHVAY-WE51~56,WG57	4LHVGY-WE51~56,WG57	4LHVWY-WE51~56,WG57
				Flat	4LHVBY-WE51~56,WG57	4LHVHY-WE51~56,WG57	4LHVXY-WE51~56,WG57
				Flat metallic	4LHV DY-WE51~56,WG57	4LHV LY-WE51~56,WG57	4LHV ZY-WE51~56,WG57
			Reconstituted wood	Knife	4LHVAY-WG51~56	4LHVGY-WG51~56	4LHVWY-WG51~56
				Flat	4LHVBY-WG51~56	4LHVHY-WG51~56	4LHVXY-WG51~56
				Flat metallic	4LHV DY-WG51~56	4LHV LY-WG51~56	4LHV ZY-WG51~56
240" (6096)	Natural wood veneer	Knife	4LHV AZ-WE51~56,WG57	4LHV GZ-WE51~56,WG57	4LHV WZ-WE51~56,WG57		
		Flat	4LHV BZ-WE51~56,WG57	4LHV HZ-WE51~56,WG57	4LHV XZ-WE51~56,WG57		
		Flat metallic	4LHV DZ-WE51~56,WG57	4LHV LZ-WE51~56,WG57	4LHV ZZ-WE51~56,WG57		
	Reconstituted wood	Knife	4LHV AZ-WG51~56	4LHV GZ-WG51~56	4LHV WZ-WG51~56		
		Flat	4LHV BZ-WG51~56	4LHV HZ-WG51~56	4LHV XZ-WG51~56		
		Flat metallic	4LHV DZ-WG51~56	4LHV LZ-WG51~56	4LHV ZZ-WG51~56		

<About product code>

The product codes of Okamura items consist of numbers and letters, and in general the 6-digit product code No. and 4-digit specification (color) code No.

- Natural wood veneer / WE51 Dyed Oak, WE52 Dark Sapele, WE53 Walnut, WE54 Teak, WE55 Oak, WE56 Figured Maple, WG57 Paldao
- Reconstituted wood / WG51 Oak Chrome, WG52 Oak Gray, WG53 Ziricote, WG54 Walnut Tropical, WG55 Ebony Light, WG56 Walnut

4LHVAA-WE51
 Product code (6 digits) Specification (color code)

Credenza

Design Concept

The Credenza was designed to fit various conference room interiors. Its simple design and sophisticated details match high-end boardrooms beautifully. The Credenza is offered in 13 high-quality wood veneer finishes and 9 high-pressure laminate finishes, aligned with the traverse satellite conference table.



Variation



Aluminum base



Plinth base

Product Details

The Top grain runs horizontally, creating beautiful, broad lines.
*Available top material: Veneer, Laminate, Corian®



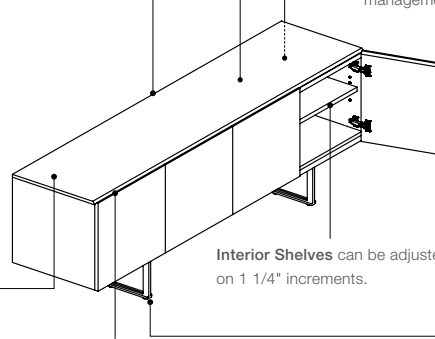
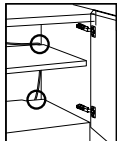
The Back and Interior are finished with the same beautiful veneer or laminate as the exterior.



Add-on Glass Top can be specified as an option (pre-installed).
*1/4" thick back-painted low-iron clear glass

Cable management

Cable openings are provided at the bottom boards, the shelves, and the dividers for clean cable management.



Interior Shelves can be adjusted on 1 1/4" increments.



Doors come standard with 110° soft close hinges and feature discreet open marks. Optional door locks are available.



Bevel Edge Profile make doors easy to open, despite their minimal design.



Bases are available in two types-Aluminum base, Plinth base.

Credenza Finishes

■ Natural Wood Veneer



WE51 Dyed Oak WE52 Dark Sapele WE53 Walnut WE54 Teak WE55 Oak WE56 Figured Maple WG57 Paldao

■ Reconstituted Wood Veneer



WG52 Oak Gray WG51 Oak Chrome WG53 Zircote WG54 Walnut Tropical WG55 Ebony Light WG56 Walnut

■ Glass (Optional add-on top)



H287 White H288 Metal Gray H289 Black

■ Corian® (Optional top)



GG31 Designer White GG32 Silver Gray GG33 Neutral Concrete GG34 Deep Nocturne

* Glass and Corian® are available only for the top of credenza.

Credenza

Aluminum base

W=20"

H	L		60"	72"	84"	96"	108"	
29"								
	Case	Table top						
	Veneer	Veneer		4LHCAA-w□□□	4LHCAB-w□□□	4LHCAC-w□□□	4LHCAD-w□□□	4LHCAE-w□□□
		Corian® (Designer White)		4LHCEA-w□□□	4LHCEB-w□□□	4LHCEC-w□□□	4LHCED-w□□□	4LHCEE-w□□□
		Corian® (Silver Gray)		4LHCEF-w□□□	4LHCEG-w□□□	4LHCEH-w□□□	4LHCEJ-w□□□	4LHCEK-w□□□
Corian® (Neutral Concrete)			4LHCEL-w□□□	4LHCEM-w□□□	4LHCEN-w□□□	4LHCEP-w□□□	4LHCEQ-w□□□	
	Corian® (Deep Nocturne)		4LHCER-w□□□	4LHCES-w□□□	4LHCET-w□□□	4LHCEU-w□□□	4LHCEV-w□□□	
36"								
	Case	Table top						
	Veneer	Veneer		4LHCBA-w□□□	4LHCBB-w□□□	4LHCBC-w□□□	4LHCBD-w□□□	4LHCBE-w□□□
		Corian® (Designer White)		4LHCFA-w□□□	4LHCFB-w□□□	4LHCFC-w□□□	4LHCFD-w□□□	4LHCFE-w□□□
		Corian® (Silver Gray)		4LHCFF-w□□□	4LHCFG-w□□□	4LHCFH-w□□□	4LHCFJ-w□□□	4LHCFK-w□□□
Corian® (Neutral Concrete)			4LHCFL-w□□□	4LHCFM-w□□□	4LHCFN-w□□□	4LHCFP-w□□□	4LHCFQ-w□□□	
	Corian® (Deep Nocturne)		4LHCFR-w□□□	4LHCFS-w□□□	4LHCFT-w□□□	4LHCFU-w□□□	4LHCFV-w□□□	

Plinth base

W=20"

H	L		60"	72"	84"	96"	108"	
29"								
	Case	Table top						
	Veneer	Veneer		4LHCZA-w□□□	4LHCZB-w□□□	4LHCZC-w□□□	4LHCZD-w□□□	4LHCZE-w□□□
		Corian® (Designer White)		4LHCXA-w□□□	4LHCXB-w□□□	4LHCXC-w□□□	4LHCXD-w□□□	4LHCXE-w□□□
		Corian® (Silver Gray)		4LHCXF-w□□□	4LHCXG-w□□□	4LHCXH-w□□□	4LHCXJ-w□□□	4LHCXK-w□□□
Corian® (Neutral Concrete)			4LHCXL-w□□□	4LHCXM-w□□□	4LHCXN-w□□□	4LHCXP-w□□□	4LHCXQ-w□□□	
	Corian® (Deep Nocturne)		4LHCXR-w□□□	4LHCXS-w□□□	4LHCXT-w□□□	4LHCXU-w□□□	4LHCXV-w□□□	
36"								
	Case	Table top						
	Veneer	Veneer		4LHCYA-w□□□	4LHCYB-w□□□	4LHCYC-w□□□	4LHCYD-w□□□	4LHCYE-w□□□
		Corian® (Designer White)		4LHCWA-w□□□	4LHCWB-w□□□	4LHCWC-w□□□	4LHCWD-w□□□	4LHCWE-w□□□
		Corian® (Silver Gray)		4LHCWF-w□□□	4LHCWG-w□□□	4LHCWH-w□□□	4LHCWJ-w□□□	4LHCWK-w□□□
Corian® (Neutral Concrete)			4LHCWL-w□□□	4LHCWM-w□□□	4LHCWN-w□□□	4LHCWP-w□□□	4LHCWQ-w□□□	
	Corian® (Deep Nocturne)		4LHCWR-w□□□	4LHCWS-w□□□	4LHCWT-w□□□	4LHCWU-w□□□	4LHCWV-w□□□	

inches

Option

	60"	72"	84"	96"	108"
Add-on glass top	4LHCCA-H28□	4LHCCB-H28□	4LHCCC-H28□	4LHCCD-H28□	4LHCC E-H28□

<About product code>

The product codes of Okamura items consist of numbers and letters, and in general 6-digit product code and 4-digit specification (color) code.

• Please refer to page 22.

4LHCAA-wES1
 Product code (6 digits) | Specification (color code)

okamura