

Meeting chair

MC

Instructions for Use



okamura

Safety Instructions (Make sure to follow these instructions)



Caution This indicates that improper handling may cause injury or property damage.

Explanation of CAUTION label

⚠ Caution

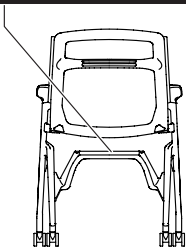
Do not use this product for the purposes other than the general use as a chair.

- Do not use this stool as a step stool or load carrier.
- Do not stand on the seat or sit on the front edge portion of the seat.

Do not insert your hands into any gaps.

- Be careful not to get your hands caught when flipping up and lowering the seat.
- When nesting this product, check your surroundings and be careful not to get your hands caught.

G1C895

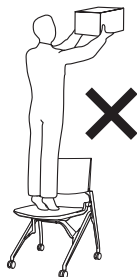


- This product is provided with the following label attached for the purpose of preventing user's life, body, and properties from being harmed or damaged. Please follow the precautions on the label when using the product.
- Never tear, scratch, erase or peel off the CAUTION label.

⚠ Caution

Do not handle roughly, or use improperly. Failure to follow the safety precautions may cause injury or damage to the product.

- Do not use this stool as a step stool or load carrier.
- Do not stand on the chair or sit on the front edge portion of the seat.
- Do not sit on other than the seat.



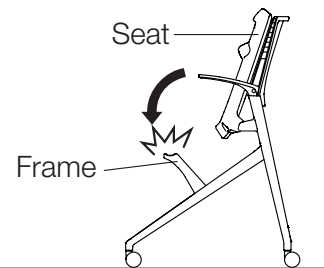
- Do not hit hard the back of this product against the edge of the table. It may cause damage to the resin part of the back and tearing of the upholstery.

Do not put your fingers or hands into the spaces or moving parts of the product. This may lead to injuries.

Be careful of the following items since it may cause injury or damage the product.

- If found unstable due to loosening of bolts or screws, retighten them.
- Do not use if any parts come off.

When lowering the folded seat, be careful not to get your hands or fingers caught between the seat and the frame



Do not disassemble or repair on your own.

- Do not attempt to disassemble or repair the product yourself. Please contact our official dealers when needed.
- If found any loose bolts or screws, do not use the product. Failure may cause damage to the product and result in injury.

Do not reconfigure. This leads to malfunction or accident.

- Reconfiguring by yourself causes the product to malfunction or accident. Okamura will have no responsibility for any disadvantages caused by remodeling.
- If you need remodeling, contact our official dealers beforehand.

Safety Instructions (Make sure to follow these instructions)

⚠ Caution

Wheels

- The wheels are consumable parts. Wheel replacement is available for a fee. Contact our Customer Service.
- The soft wheels change over time due to the effects of hydrolysis, mold growth, ultraviolet rays, etc., causing deterioration such as crack and peeling. The speed of soft wheel aging greatly varies depending on your environment. If you find any deterioration, you are recommended to replace the wheels concerned as early as possible.

For P tile floor, wooden floor

- Hard caster(Nylon wheels) may slide too well to cause the chair to fall. Use Soft caster((urethane wheels). The nylon wheels are suited for floors covered with rugs or carpets.



Hard caster



Soft caster

Installation

Please follow instructions below. Failure may cause serious damage to the product and Okamura will have no responsibility for any damages.

Indoor use only.

- No outdoor or waterfront use.

Avoid high temperature, high humidity, or extraordinary aridity.

Do not place product under heater or airconditioner exhausting high temperature air.

Avoid direct sunlight.

- When placing alongside windows, use curtains or blinds to avoid direct sunlight.

Do not place on uneven floor.

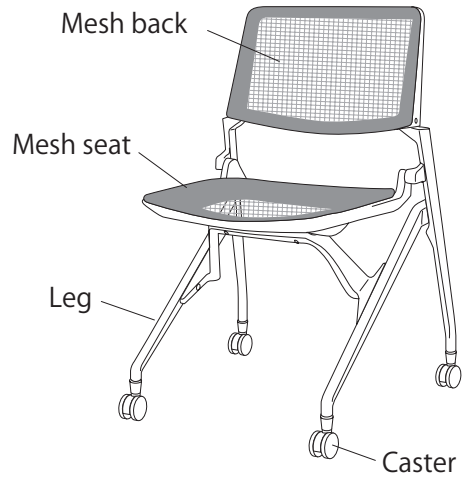
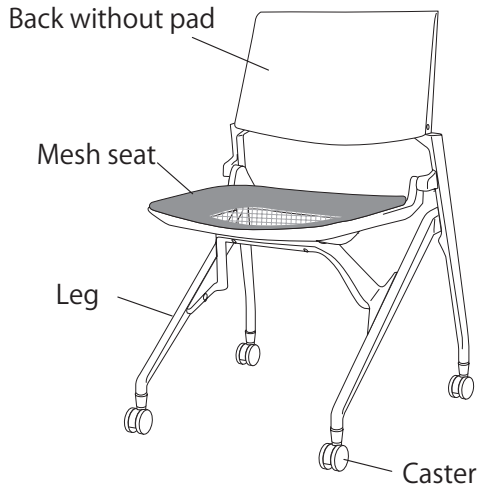
- Make sure to place the product on an even floor when using. Failure may cause the product to deform or to be damaged.

Appropriate Ventilation Measures

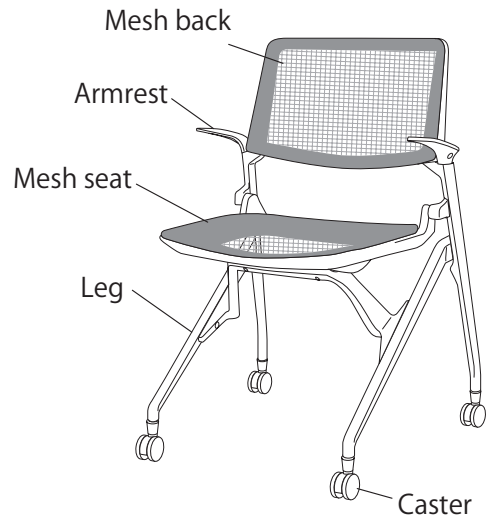
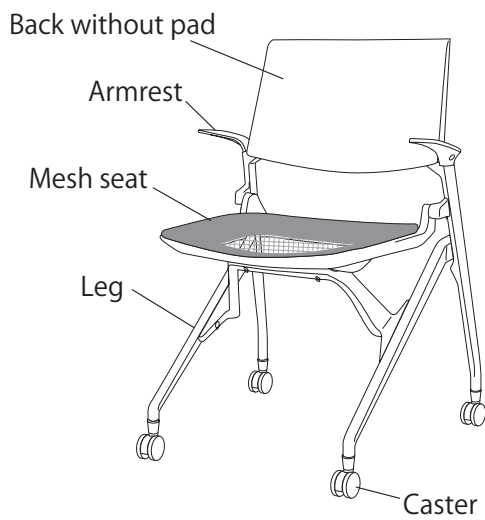
- Many chemical substances will be released by the product when it is first purchased. Sufficiently ventilate or expose the product to moving air for some time after purchasing it.
- Do not completely close windows when using the product in rooms with conspicuously high temperatures/humidity (the benchmarks for these are temperatures in excess of 28°C (82.4°F) and relative humidity in excess of 50%).

Parts Name

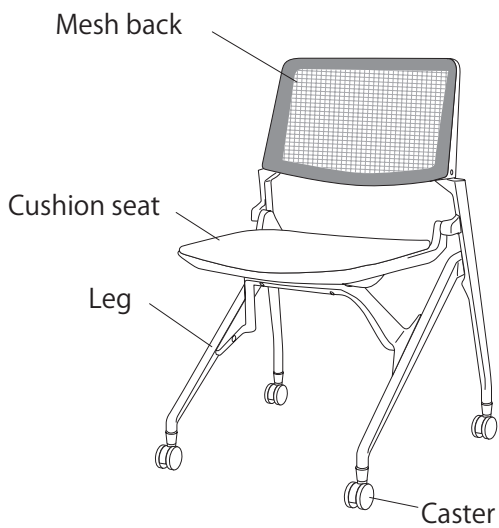
■ Mesh seat



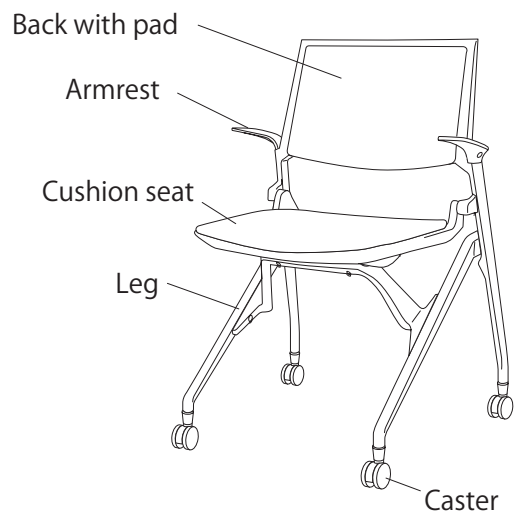
■ Mesh seat with arms



■ Cushion seat



■ Cushion seat with arms



Operation Guide

■ Nesting storage method

Space-saving storage is possible.

[Storing the product]

- While holding the upper portion of the back by one hand, lift the center portion of the front edge of the seat. At that time, be careful not to get your hands or fingers caught between the seat and the back.
- With the seat completely folded, store the product by nesting. Do not perform nesting storage with the seat lowered. Failure may cause damage to the product.

⚠ Caution

- Be careful not to get your hands or fingers caught between the back and the seat.
- Before nesting storage, check your surroundings and be careful not to get your hands caught. Careless handling may cause injury.

[Using the product]

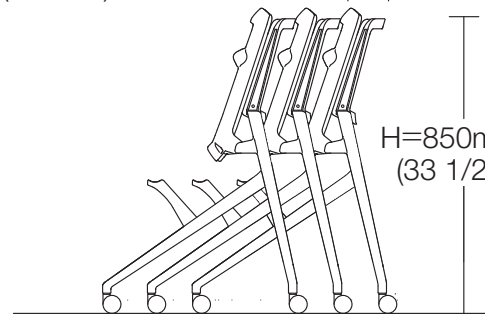
- With the seat completely folded, pull the product out of the storage location.
- Do not lower the seat with the product kept in the nesting storage state. Failure may cause damage to the product.
- Do not perform nesting storage with the seat lowered. Failure may cause damage to the product.
- While holding the upper portion of the back by one hand, lift the center portion of the front edge of the seat.
- Confirm that the seat is completely lowered before use.

Space for storing n units of products

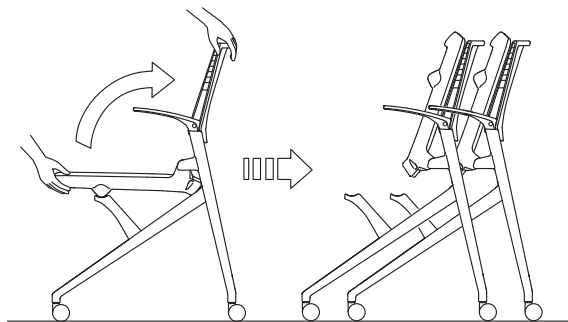
W=590mm
(23 1/4")

125mm(4 15/16")

H=850mm
(33 1/2")

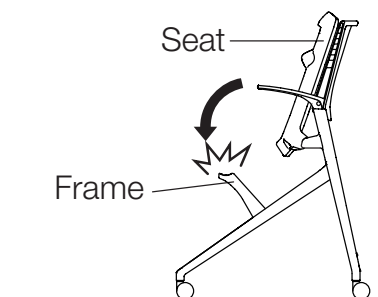


$D=570+(n-1) \times 125\text{mm}$
(22 1/2") (4 15/16")



⚠ Caution

- When lowering the seat or sitting on the seat, do not place your hands near the frame under the seat. Careless handling may cause injury.



Troubleshooting

Problem	Check	Solution	Page
Casters do not move smoothly.	Are they tangled with lint or wool?	Remove lint or wool or replace the casters.	*
Casters are slippery.	Are you using urethane casters on hard floors such as a plastic tile floor?	Use soft casters.	
Chair makes noise.	From which part of the chair do you hear the noise?	Contact our dealer or Customer Service.	—

* Please contact an official dealer.

Materials and Surface Finish

Part		Materials	Surface Finish	
Back	Shell	Polypropylene >PP<	—	
	Mesh frame	Glass-reinforced polyamide >PA-GF<	—	
	Mesh	Polyester	—	
Back pad	Inner shell	Polypropylene >PP<	—	
	Cushion	Urethane foam	—	
	Cover fabric	Polyester	—	
Seat	Shell	Polypropylene >PP<	—	
	Cushion	Urethane foam	—	
	Cover fabric	Polyester	—	
	Mesh frame	Glass-reinforced polyamide >PA-GF<	—	
	Mesh	Polyester	—	
Leg	Leg frame	Aluminum	Polyester resin coating	
	Caster	Hard	Polyamide	—
		Soft	Polyurethane	—
Armrest		Glass-reinforced polyamide >PA-GF<	—	

* Please understand that product specifications might change without prior notification due to improvements made to the product.

Instructions to Extend the Life of Product

Please follow instructions below. Failure may cause serious damage to the product and Okamura will have no responsibility for any damages.

Operating Precautions and Maintenance

- If the product has become unsteady due to loosening of the bolts or screws during use, retighten them immediately.
- Avoid direct exposure to steam. Failure will cause rust.
- Wipe off any water on the Worktop with a dry and soft cloth.
- This instruction manual is very important, so store it in an easily accessible location.
- Regular maintenance is recommended for long-life use. Make your request to us early for inspections and repairs (fees required) when the warranty period has expired.

Maintenance

Cloth part

- Brush with a soft brush or tap the surface softly and vacuum to remove dust to avoid damaging the cloth.
- When it gets dirty after extended period of time, wipe with a well wrung soft cloth moistened with thin neutral detergent. Wipe clean with a damp cloth. Be sure to wipe detergent completely and wipe again with a dry cloth to dry it.
- When using alkaline electrolyzed water to remove stains, spray directly on the stain and brush with a soft brush taking care not to damage the cloth. Then, wipe the moisture and stain to remove and wait for the cloth to dry.
- When it gets an oily stain, dab and remove it by using a dedicated stain remover immediately. Then wipe with a soft cloth dampened with water, followed by a dry cloth to dry. Stains may be permanent depending on the material.

<Caution>

- Remove stains as quickly as possible.
- Avoid causing a circular stain, remove not only the stain but also wipe off thoroughly around the stain.
- Try the cleaner on inconspicuous area first since the surface may discolor or deteriorate by using it.

Resin part

- Wipe with a well wrung soft cloth moistened.
- If dirt is noticeable, wipe it off with a well wrung soft cloth moistened with thin neutral detergent. Be sure to remove detergent completely with a damp cloth and wipe again with a dry cloth to dry it.

OKamura

OKAMURA CORPORATION

International Sales & Marketing Div.

www.okamura.com

G1C896/2021-02