

Materials and Surface Finish

Part		Materials	Surface Finish	
Lounge type	Frame	Plywood, solid wood	—	
	Filling material	Polyurethane foam	—	
	Leveler	ABS, steel	—	
Platform type	Upholstery	Frame	Plywood, solid wood, polypropylene	
		Filling material	Polyurethane foam	
	Leg	Standard height	Metal (aluminum)	Powder coat Polished
		Low height	Steel	Powder coat
		Leveler	Polyethylene, steel	—
Ottoman	Frame	Plywood, solid wood	—	
	Filling material	Polyurethane foam	—	
	Glide	Polyethylene, steel	—	
Armrest cushion/ Multi-purpose cushion	Frame	Plywood	—	
	Filling material	Polyurethane foam	—	
Cover fabric (all types)	Uniform melange	Wool (68%), polyamide (22%), polyester(10%)	—	
	Hopsack	Polyester	—	
	Plain	Polyester	—	
	Twill	Polyester	—	
	Interlock	Polyester	—	
Add-on smooth top		Polyvinyl chloride >PVC<	—	

* Please understand that product specifications might change without prior notification due to improvements made to the product.

Lounge sofa

NAGARE

Instructions for Use



okamura

OKAMURA CORPORATION

INTERNATIONAL SALES & MARKETING DIVISION
2-14-27, Akasaka, Minato-ku, Tokyo 107-0052, JAPAN
Tel : +81-3-5561-4085 Fax : +81-3-5561-4086
<http://www.okamura.jp/>

I72411
2020-05

okamura

Safety Instructions (Make sure to follow these instructions)



User must follow this instruction to prevent accidents and injuries, or damages to their property.

Caution

Do not handle roughly, or use improperly. Failure to follow the safety precautions may cause injury or damage to the product.

- Do not use the product as a step stool or as a transportation equipment.
- Do not sit on any parts other than the seat.
- Do not stand on or lean against the product. Do not sit in an unsettled position such as sitting on the front edge of the seat.
- When using the add-on smooth top, hook its edge on the cushion's edge to attach it. Do not sit on the add-on smooth top.
- Place gently when loading on the add-on smooth top. Uneven loading on the product may cause balance loss and thus drop or fall.
- Do not place a hard object on the corners of the add-on smooth top.
- Do not hang on or climb on to the headrest of the product as it may cause damage to the product, resulting in injury.

When moving or storing the product due to changing the floor layout or other purposes, observe the following.

- Do not try to move the product by yourself while holding the headrest or armrest. It is recommended that two or more people move the product by holding the seat. Failure to do so may cause damage to the product, resulting in injury.
- Do not move the product with any objects placed on the add-on smooth top.
- When adjusting the height of the product, be sure to support it firmly with more than two people to prevent your hands or feet from being caught.

Do not disassemble or repair on your own.

- Do not attempt to disassemble or repair the product yourself. Please contact our official dealers when needed.
- Do not use the product with any bolts and screws loosen. Failure may cause damage to the product and result in injury.

Be careful of the following items since they may cause injury or damage the product.

- Do not keep using the product if you are aware of any unusualness in the product. Failure may cause damage to the product and result in injury.
- If the product is found unstable due to loose bolts or screws, retighten them.
- Do not use the product if any parts are loose or missing.

Do not put your fingers or hands into the spaces or moving parts of the product. This may lead to injuries.

Do not modify the product after purchase. This may lead to malfunction or accidents.

- Modifying the product by yourself may cause the product to malfunction or may cause accidents or injuries. Okamura is not responsible for any damages caused by modification.
- Please contact an official Okamura dealer in advance when modification is needed.

Installation

Please follow instructions below. Failure to do so may cause serious damage to the product. Okamura is not responsible for any damages caused by modification of the product.

Indoor use only.

- Do not use outdoors or in wet places. Exposure to moisture may cause the product to malfunction due to distortion or mold.

Avoid direct sunlight.

- When placing alongside windows, use curtain or blind to avoid from direct sunlight.

Avoid high temperature, high humidity, or extreme aridity.

Do not place product under heater or air-conditioner exhausting high temperature air.

Place the product on an even floor.

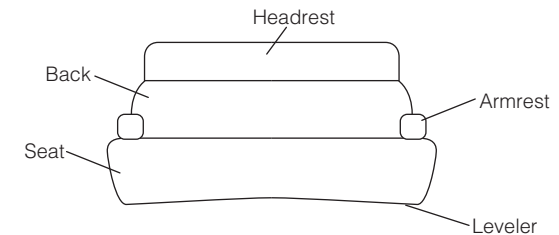
- Failure to do so may cause deformation of the product or damage to the moving parts.

Appropriate Ventilation Measures

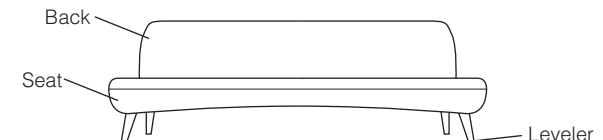
- Chemical substances may be released by the product when it is first purchased. Sufficiently ventilate the room after installing the product.
- Do not completely close windows when using the product in rooms with conspicuously high temperatures/humidity (the benchmarks for these are temperatures in excess of 28° C (82.4° F) and relative humidity in excess of 50%).

Part names

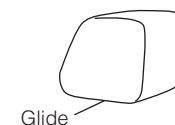
Lounge type



Platform type



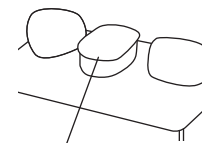
Ottoman



Armrest cushion

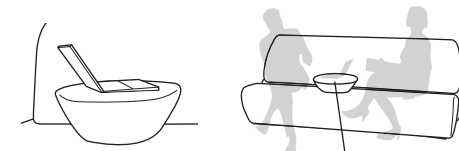


Multi-purpose cushion



Add-on smooth top for oval-shaped multi-purpose cushion

Work cushion

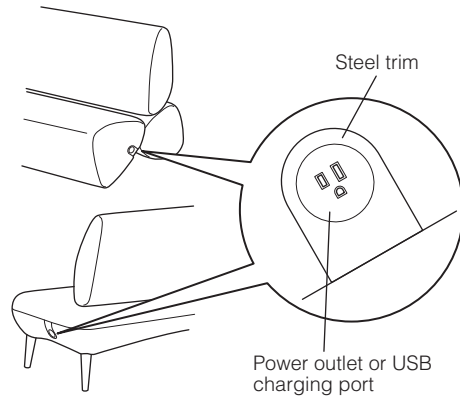


Add-on smooth top for work cushion

Operation Guide

■ Optional Power Accessory

An optional power accessory is available with this product. You must specify either a power outlet or a USB charging port as the power accessory when you order the product.



■ Add-on smooth top

Add-on smooth top is available for the work cushion and the oval-shaped multi-purpose cushion to use as a laptop table.

The add-on smooth top is easy to attach/detach. Hook the add-on smooth top's edge on the seat's edge to attach. Make sure that there is nothing on the add-on smooth top before detaching it.

Note that the add-on smooth top cannot be fixed to the cushions.

* The add-on smooth top is not provided with the product.



⚠ Caution

- Do not place heavy objects or breakables on the add-on smooth top. Do not move the cushions with any objects placed on the add-on smooth top as it may cause the cushion to fall, resulting in injury or damages.
- Do not lean on or sit on the add-on smooth top as it may cause you to fall, resulting in injury or deformation of the add-on smooth top.

Instructions to extend the life of product

Please follow instructions below. Failure to do so may cause serious damage to the product. Okamura is not responsible for any damages caused by modification of the product.

Operating precautions and maintenance

- If the product is found unstable due to loose bolts and screws, tighten them.
- Do not use sharp objects such as a knife on the add-on smooth top as it may cause scratches or damages to the surface.
- This instruction manual is very important, so store it in an easily accessible location.
- Regular maintenance is recommended for long product life. Make requests to us immediately when a repair or inspection is needed (fees required after expiration of warranty).

For daily care

Cloth part

- Brush with a soft brush or tap the surface softly and vacuum to remove dust to avoid damaging the cloth.
- When it gets dirty after extended period of time, wipe with a well wrung soft cloth moistened with thin neutral detergent. Be sure to wipe off detergent completely with a damp cloth, then use a dry cloth to dry it.
- When using alkaline electrolyzed water to remove stains, spray directly on the stain and brush with a soft brush taking care not to damage the cloth. Then, wipe the moisture and stain to remove and wait for the cloth to dry.
- When it gets an oily stain, dab and remove it by using a dedicated stain remover immediately. Then wipe with a soft cloth dampened with water, followed by a dry cloth to dry. Stains may be permanent depending on the material.

<Caution>

- Remove stains as quickly as possible.
- To avoid causing a circular stain, remove not only the stain but also wipe off thoroughly around the stain.
- Try the cleaner on inconspicuous area first since the surface may discolor or deteriorate by using it.

Aluminum/steel part

Other materials of the add-on smooth top

- Wipe off with a dry soft clean cloth.
- When the product gets dirty, moisten a soft cloth with thin neutral detergent and wipe off immediately. Wipe clean with a damp cloth. Be sure to wipe detergent completely and wipe again with a dry cloth to dry it.

<Caution>

- Do not leave the product with moisture remaining on it. Do not clean the product with organic solvents such as thinner or benzene, or with a cloth that contains chemicals. Be aware that once discoloration or deterioration happens, it cannot be reverted.

- When it gets an oily stain, dab and remove it by using a dedicated stain remover immediately. Then wipe with a soft cloth dampened with water, followed by a dry cloth to dry. Stains may be permanent depending on the material.

<Caution>

- Remove stains as quickly as possible.
- To avoid causing a circular stain, remove not only the stain but also wipe off thoroughly around the stain.
- Try the cleaner on inconspicuous area first since the surface may discolor or deteriorate by using it.