

SHIBUSA

Spec Guide

Issued January 2024



okamura

SHIBUSA

Color options for Flame



Polished



Black

Back types



With Back Panel



Fully Upholstered

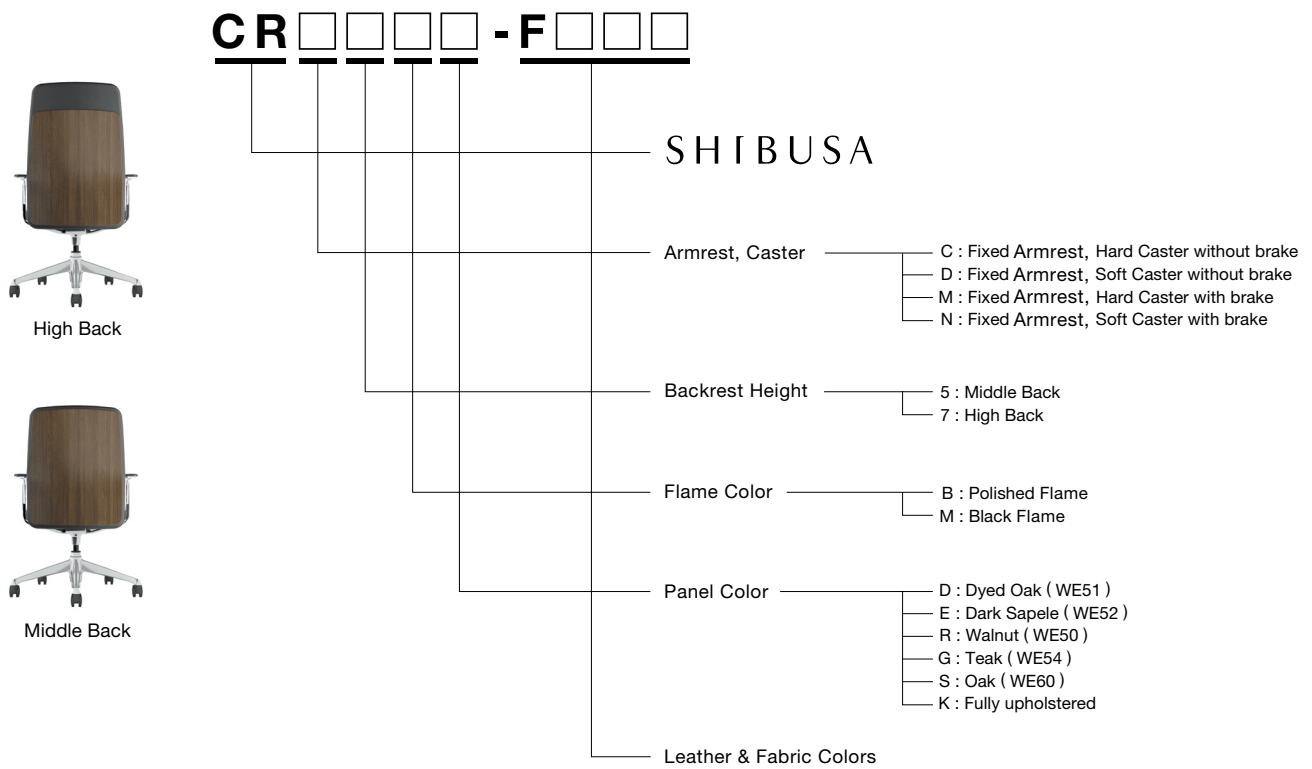
Armrest types



Fixed Armrest

The armrest pad is black(G721) only.
Pale Gray(G726) pad is also available upon
special request.

Product Code



Color Variations

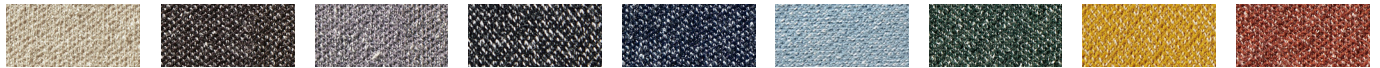
Back and Seat

Herringbone FW□□



FWJ9
Orange Red

Interlock FXW□



FXW8
Pale Pink

Leather P□□□



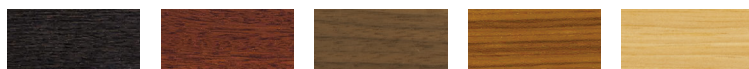
PC18
White

PD98
Camel

PD97
Dark Brown

PF72
Black

Back Panel



WE51
Dyed Oak

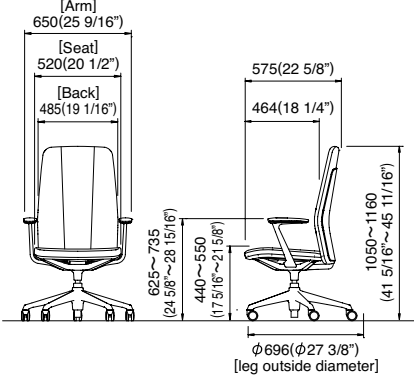
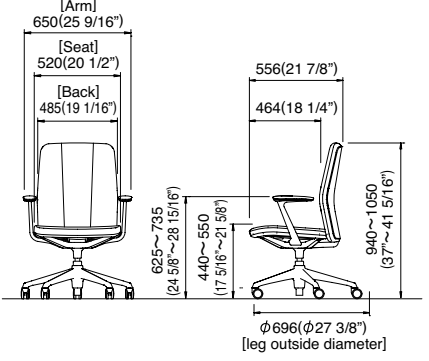
WE52
Dark Sapele

WE50
Walnut

WE54
Teak

WE60
Oak

Dimensions [BIFMA Standard]

Armrest Type	High Back	Middle Back
Fixed Armrest	 <p> [Arm] 650(25 9/16") [Seat] 520(20 1/2") [Back] 485(19 1/16") 625~735 (24 5/8~28 15/16") 440~550 (17 5/16~21 5/8") 575(22 5/8") 464(18 1/4") 1050~1160 (41 5/16~45 11/16") ϕ696(ϕ27 3/8") [leg outside diameter] </p>	 <p> [Arm] 650(25 9/16") [Seat] 520(20 1/2") [Back] 485(19 1/16") 625~735 (24 5/8~28 15/16") 440~550 (17 5/16~21 5/8") 556(21 7/8") 464(18 1/4") 940~1050 (37~41 5/16") ϕ696(ϕ27 3/8") [leg outside diameter] </p>

mm (inch)

OKamura

OKAMURA CORPORATION

International Sales & Marketing Div.

www.okamura.com

The products listed in this catalog are available as of January 2024. Please note that specifications, dimensions, and colors are subject to change without notice. The colors of the actual products may differ somewhat from the colors shown in the catalog, depending on printing conditions.