

Alt Piazza



Environmental
Data Sheet

Safe and environmentally friendly products

Okamura's environmental priorities in product design and assessment ensure the delivery of safe, eco-conscious products that give consumers peace of mind.

A harmony of design, ecology, and economy

Okamura reduces raw material inputs during manufacture by analyzing finite elements with CAE and adopting other leading-edge methods. We harmonize design, ecology, and economy.

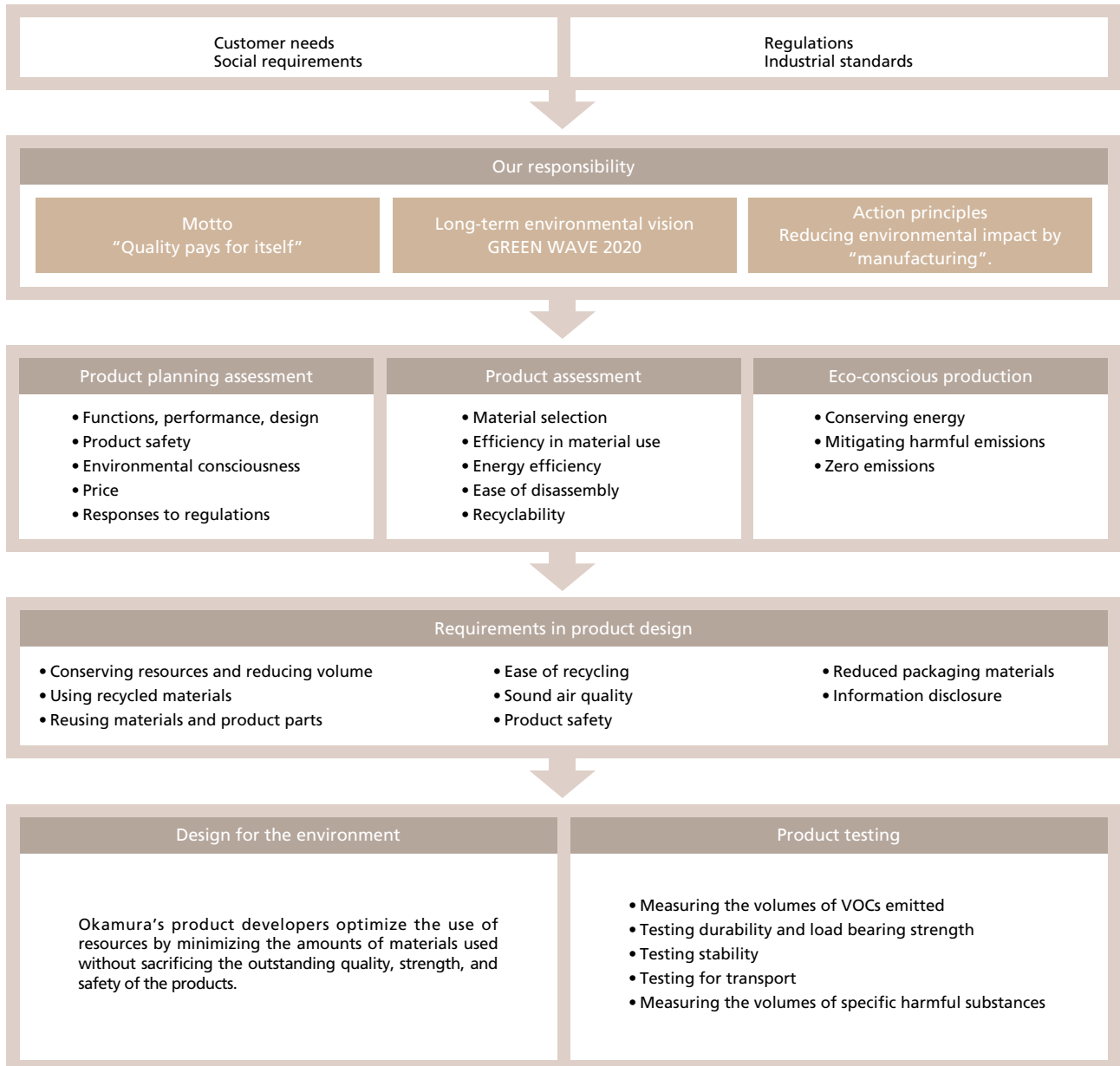
Keeping clean air

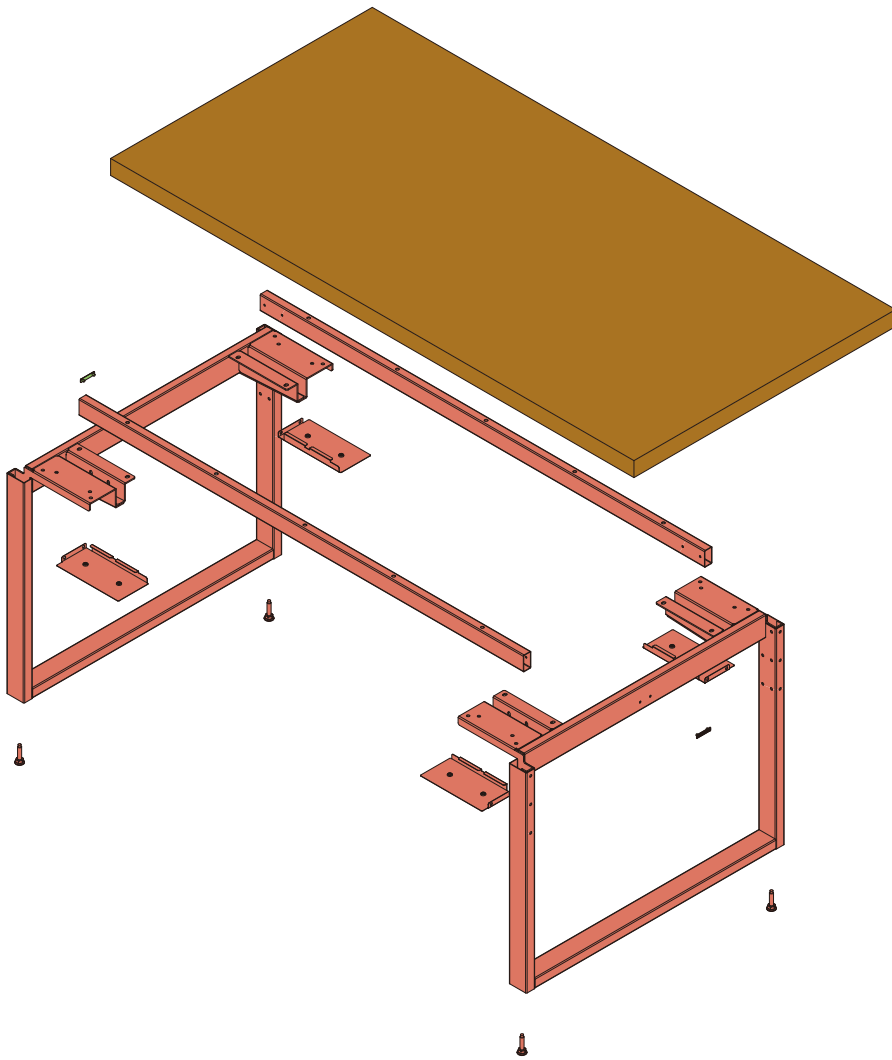
The furniture is a critical part of any office space. This is another factor that motivates Okamura to protect the air quality of offices by positively using raw materials and paints free of volatile organic compounds (VOCs).

Designs for easier reuse and recycling after use

Okamura designs products that can be easily broken down into homogeneous materials to facilitate the reuse of parts recovered from post-use products and material recycling. The materials used in major components are clearly identified.

Developing eco-conscious products





Total control of every material used

Okamura collects thorough information on the materials, surface finishing methods, and other aspects of the parts used in its products, from the main components of its office equipment to individual screws. Detailed data on materials are provided upon request.

Recycled materials: **11%**

Recycled materials are used in plastic and steel parts. These materials make up about 11% by product weight.

Recyclability: **46%**

With future recyclability firmly in mind during the design stage, we use homogeneous materials as much as possible. After use, our products can be collected and disassembled into homogeneous materials.

■ Wood

In deference to the ecology of the earth's forests, Okamura does not use wood from illegally felled trees. We efficiently make use of wood only from properly managed forests. We have stipulated a wood-use policy that promotes the preservation and sustinment of the diversity of life on our planet, and are actively involved in expanding the use of sustainably harvested wood and wood from certified forests.



■ Steel

Steelmakers use recovered steel to produce new steel. Steelmaking with recovered steel consumes 75% less energy than steelmaking from iron ore.



■ Resins

ABS resins is used to ensure recycling in the future. Resins recovered after use are reprocessed and reused by resin manufactures. Okamura is an active user of recycled resins for its products.

Indicating materials

Okamura indicates the materials used to facilitate recycling after use.

GREENGUARD certified

GREENGUARD is an indoor environment air quality standards used to certify products with low chemical emissions for the protection of interior environments. Certification is granted only to products that pass the pollutant emissions testing conducted in process-controlled dynamic environmental chambers following test protocols developed by Air Quality Sciences, Inc. The test protocols comply with ASTM, U.S. EPA, LEED, and BIFMA standards and requirements.



Reducing VOCs to safeguard health

Okamura minimizes the use of formaldehyde, toluene, xylene, and other VOCs, which can result in sick building syndrome and allergic dermatitis. Environmental load can be reduced while achieving outstanding comfort and strength.

GREENGUARD Emission Criteria

Emission Types	Measure
Individual VOCs	<0.1TLV
Formaldehyde	<0.025ppm (<0.03mg/m ³)
4-phenylcyclohexene	<0.0033mg/m ³
Total VOCs	<0.25mg/m ³
Total aldehydes	<0.05ppm

Reductions of VOCs

Toluene
Xylene
Formaldehyde
Aldehydes
4-phenylcyclohexene



OKAMURA



Visit the Okamura website for the latest updates on Okamura products.

<http://www.okamura.jp/>