

## Materials and Surface Finish

	Part	Materials	Surface finish
Tabletop	Surfacing, coating	Melamine board	—
	Core material	MDF	—
	Rear surface	Phenol	—
Leg	Leg, tray	Steel	Baking finish
Base	Base	Steel	Baking finish
Adjuster	Main body	Recycled ABS > Recycled ABS <	—
	Axle part	Steel	—

\* > XX < indicates the materials of the parts. This information is useful for recycling.

\* Please understand that product specifications might change without prior notification due to improvements made to the product.

Creative Furniture

# Alt Piazza Series

[Cafe table]

## Instructions for Use



**okamura**

OKAMURA CORPORATION

INTERNATIONAL SALES & MARKETING DIVISION  
2-14-27, Akasaka, Minato-ku, Tokyo 107-0052, JAPAN  
Tel : +81-3-5561-4085 Fax : +81-3-5561-4086  
<http://www.okamura.jp/>

GD2968  
2019-02

**okamura**

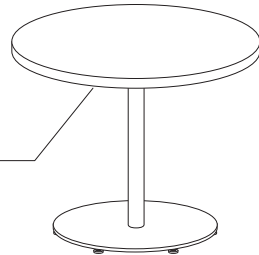
## Safety Instructions (Make sure to follow these instructions)

### ⚠ Caution

User must follow this instruction to prevent accidents and injuries, or damages to their property.

#### ■ Instruction on caution label

- The caution label shown on the right is attached on this product to avoid safety hazards or damage to the user's life, body, and property. Use this product observing the written cautions.
- Do not tear, damage, erase words of, or remove the label.



### ⚠ Caution

Do not handle roughly, or use improperly. It may cause injury or damage to the product.

- Do not use as a stepstool.

If the product is found unstable due to loosening of bolts or screws, retighten them.

Be careful of the following items since they may cause injury or damage the product.

- Do not lean on or sit on the tabletop.
- Do not use the product with any part loose or missing.
- Do not move the product while objects are placed on the tabletop.

Do not use with bolts and screws loosen. It may cause damage to the product and result in injury.

Do not disassemble or repair on your own.

- Do not attempt to disassemble or repair the product yourself. Please contact our official dealers when needed.

Consult your local distributor or our official dealer for the available optional items.

Do not modify on your own. This leads to malfunction or accident.

- Modifying the product by yourself may cause the product to malfunction. Okamura is not responsible for any damages caused by modification.
- Please contact an official Okamura dealer in advance when the product requires any modifications.

Do not exceed the maximum loading capacity as it may result in collapse or damage.

Loading part	Maximum loading capacity
Tabletop	30kg (66lb) (uniformly distributed weight)

\* What is "Uniformly distributed weight"?  
It means to load on a work surface, etc. evenly. Uneven loading on the product may cause balance loss and thus drop or fall.

## Appropriate Ventilation Measures

- Many chemical substances will be released by the product when it is first purchased. Sufficiently ventilate or expose the product to moving air for some time after purchasing it.
- Do not completely close windows when using the product in rooms with conspicuously high temperatures/humidity (the benchmarks for these are temperatures in excess of 28° C (82.4° F) and relative humidity in excess of 50%).

## Installation

Please follow instructions below. Failure to do so may cause serious damage to the product and Okamura will have no responsibility for any disadvantages.

Use the product indoors.

- Do not use outdoors or near water. It may cause warping or mold.

Do not expose the product to direct sunlight. It causes distortion or discoloration of the product.

- Always use curtains, blinds, or the like to protect the product from direct sunlight when placing it next to windows or the like.

Avoid high temperature, high humidity, or extraordinary aridity.

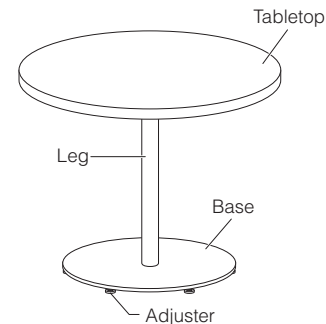
Do not place the product under a heater or air-conditioner exhausting high temperature air.

Place the product on a horizontal surface.

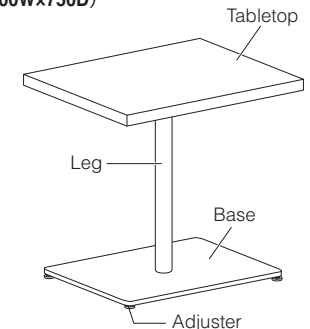
- Be sure to place the product on a horizontal surface. Failure to do so may cause deformation of the product.
- Use the adjuster to keep the product horizontal to the floor surface.

## Part Names

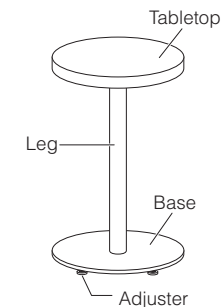
### ■ Cafe table (base diameter 600φ) (900φ/750φ/750 square)



### ■ Cafe table (rectangle) (600W×750D)



### ■ Cafe table (base diameter 450φ) (600φ/450φ)



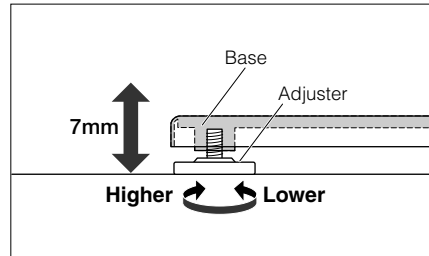
## Operation Guide

### ■ Base adjustment

If the table wobbles due to uneven floor surfaces, use the adjuster for the base to keep the table horizontal to the floor surface.

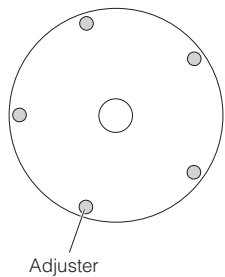
#### ⚠ Caution

When using the adjuster, ensure that more than two people provide rigid support using extreme caution.

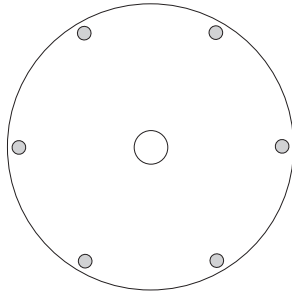


### 【The number of adjusters and the locations (per base)】

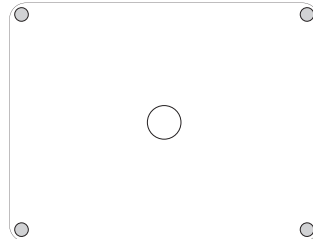
[450 φ round base]



[600 φ round base]



[650×500 rectangle base]



Adjuster

## Instructions to Extend the Life of Product

Please follow instructions below. Failure to do so may cause serious damage to the product and Okamura will have no responsibility for any damages.

### Operating Precautions and Maintenance

- Do not use sharp objects such as a knife on the tabletop as it may cause scratches or damages to the surface.



- If the product gets wet with water, wipe off with dry and soft cloth.
- If you spill tea, coffee, detergent, medicine, or some other liquid on the product, wipe off immediately.

- Tighten loose bolts and screws on a regular basis.
- If the product is found unstable due to loose bolts or screws, retighten them as soon as possible.
- This instruction manual is very important, so store it in an easily accessible location.
- Regular maintenance is recommended for long product life.  
Make requests to us immediately when a repair or inspection is needed (fees required after expiration of warranty).

### For daily care

#### Wooden part

- Wipe gently along the grain with a soft, clean, dry cloth.
  - If the product becomes noticeably dirty, remove the dirt using a soft cloth dampened with water, then use a dry cloth to absorb water residue.
  - For a more thorough cleaning we recommend using a mild cleaner (thin neutral detergent).
- 〈Caution〉
- Do not use the following as they may damage the coating.
    - Thinner, benzene, alcohol, lacquer, oil, vinegar, boiling water, polisher, etc.
  - Frequent wiping with a damp cloth may cause cracking of the coating. It is recommended to use a dry soft cloth or our wiping cloths for daily care.

#### Resin part

- Wipe off with a soft cloth dampened with water.
- When it gets dirty, moisten the cloth with thin neutral detergent and squeeze it hard to wipe. Wipe clean with a damp cloth. Be sure to wipe detergent completely and wipe again with a dry cloth to dry it.

#### Steel part

- Wipe off with a dry soft clean cloth.
- If moisture is collected or substances such as fingerprints or sebum are adhered, wipe it off immediately. Leaving moisture, liquid, fingerprints, or sebum on the surface accelerates oxidation of the steel part and deteriorates gloss and texture.