

4. Instructions to Extend the Life of Product

Daily care

[Steel part]

- Wipe off with a dry soft clean cloth.
- Immediately wipe off any water.
- Immediately wipe off any dust or fingerprints (sebum).

(Cautions)

- Do not leave any water on the steel part. Do not use a chemical cloth or an organic solvent such as thinner and benzene. Please note that the product with its color or texture deteriorated cannot be restored to its original state.

[Resin Part]

- If you use a commercially available cleaner, make sure to confirm that discoloration or other phenomena will not occur by applying a small amount of the cleaner to an unnoticeable portion in advance.

[Whiteboard Surface]

- If it is difficult to clean the surface, wipe it with a damp cloth that has been wrung out tightly. Afterwards, dry wipe with a soft, fine-grained cloth. Please avoid cleaning with detergent etc. as it may cause dirt to adhere. Also, never wipe with organic solvents such as benzene or thinners.

- Do not use polishing powder or scrubbing brush to clean, as it will damage the surface finish.



5. Specifications

Main materials and surface finish

	Structural Part	Materials	Surface Finish
Stand	Frame	Steel	Amino-alkyd resin coating or Polyester coating
	Base	Steel	
	Caster	Nylon	
	Belt Grasp	polyester	—
	Cross Rail Cover	Metal (aluminum)	Amino-alkyd resin coating or Polyester coating
	Hanger pipe	Metal (stainless steel)	—
Whiteboard	Surface Material	Steel	Acrylic resin coating
	Edge material	PVC	—
	Corner Resin	ABS resin	—
Felt Screen	Body	polyester	—
Acrylic board	Body	Acrylic	—
Fence Board	Body	Steel	Amino-alkyd resin coating or Polyester coating
Resin Hook	Board Hook	Polypropylene	—
	Hanging Hook	Polypropylene	—
	Board Clip	Polypropylene	—
Option	Non-Woven Fabric Pockets	polyester	—
	Pen Stand	Steel	Amino-alkyd resin coating or Polyester coating
	Stacking Tray	Steel	
	Magazine Stand	Steel	
	Magnet board	Steel	
	Wire Basket	Steel	

* Note that product specifications may change without notice in order to improve them.

OKamura

OKAMURA CORPORATION
International Sales & Marketing Div.
www.okamura.com

G16JR5/2023-03

Creative furniture

SPRINT

[Stand]

Instructions for Use



OKamura

1. Safety Instructions (Make sure to follow these instructions)

Information on Graphic Symbols

This Instruction Manual and indications on the products use various types of symbols to help you safely and correctly use the products, preventing you, people nearby, and properties from being damaged. The symbols mean as shown below. Make sure to understand the meaning of the symbols well before reading the instructions.



This indicates that improper handling may cause injury or property damage.

△ The symbols are there to call your attention to the parts indicated.

CAUTION

Do not handle roughly, or use improperly. Failure to follow the safety precautions cause injury or damage to the product.

- Do not use this product as a step stool or as a transportation equipment.
- Do not lean on the stand.
- Do not sit or get on the base.



Be careful of the following items since it may cause injury or damage the product.

- If the product starts to creak due to loose bolts or screws, please be sure to tighten them again. Loosening may cause problems.
- Do not use the product if any parts have come off. It may cause damage or lead to accidents, such as tipping over.

Do not disassemble or repair the product.

- Do not attempt to disassemble or repair the product yourself. Please contact our official dealers when needed.
- Do not use the product with loose bolts or screws. Failure may cause the main unit to be broken and cause injury.

Do not put your hands or fingers in the gaps or movable portions. Careless handling may cause injury.

Never remodel the product. Failure may cause a malfunction or accident.

- Remodeling by the customer may cause a malfunction. In that case, Okamura will not take any responsibility or liability for any phenomena caused.
- If you need to remodel the product, contact our Customer Service.

Do not load anything more than the maximum loading capacity of the product. It may cause you to fall or damage to the product.

Loading part	Maximum loading capacity
Board Hook (two pieces)	10kg
Hanging Hook	1kg (Uniformly distributed weight)
Wire basket	1kg (Uniformly distributed weight)
Monitor (for monitor stand)	20kg (Uniformly distributed weight)
Shelf (for monitor stand only)	3kg (Uniformly distributed weight)

* What is "Uniformly distributed weight"...

It means to load on a work surface, etc. evenly. Uneven loading on the product may cause balance loss and thus drop or fall.

Wheels

- The wheels are consumable parts. Wheel replacement is available for a fee. Contact our Customer Service.

2. Operating Precautions

Please follow the instructions below. Failure may cause damage to the product. In that case, Okamura will not take any responsibility or liability for any phenomena caused.

Installation

Be sure to use the product indoors.

- Do not use the product outdoors or in places exposed to water. Failure may cause damage such as warping and mold.

Avoid places with high temperature, high humidity, and extreme dryness. Failure may cause deformation, discoloration, and mold.

Avoid places exposed to direct sunlight. Failure may cause deformation or discoloration.

- When installing the product near windows, constantly block direct sunlight with curtains, blinds, etc.

Avoid places directly exposed to heat or wind from stoves or air conditioners. Failure may cause deformation or discoloration.

Install the product so that it will be horizontal.

- When installing the product, be sure to keep the body horizontal. Failure may cause the body to be distorted or the movable portion to be defective.

Appropriate Ventilation Measures

- Many chemical substances will be released by the product when it is first purchased. Sufficiently ventilate or expose the product to moving air for some time after purchasing it.
- Do not completely close windows when using the product in rooms with conspicuously high temperatures/ humidity (the benchmarks for these are temperatures in excess of 28°C (82.4°F) and relative humidity in excess of 50%).

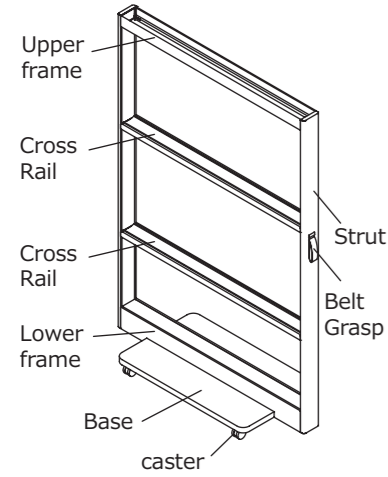
Product Disposal

You are responsible by law for properly disposing of products that you no longer need. When disposing of a product, please dispose of it properly in accordance with the law.

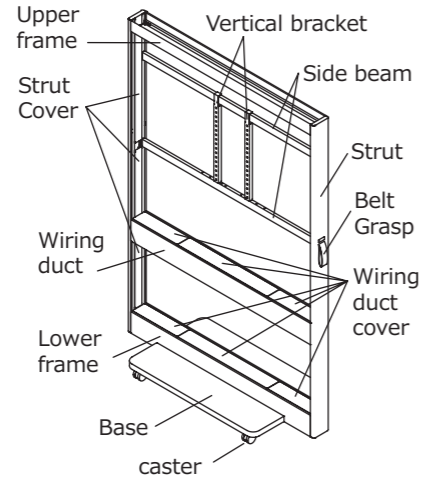
3. Operation Guide

Parts Name

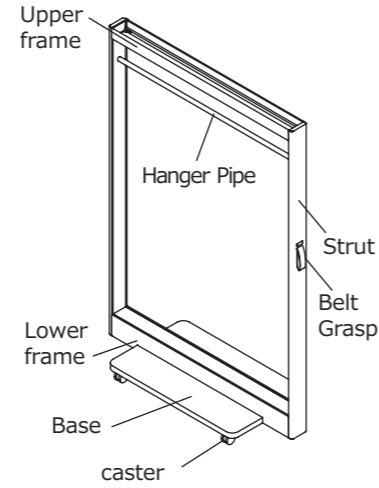
■Board Stand



■Monitor Stand

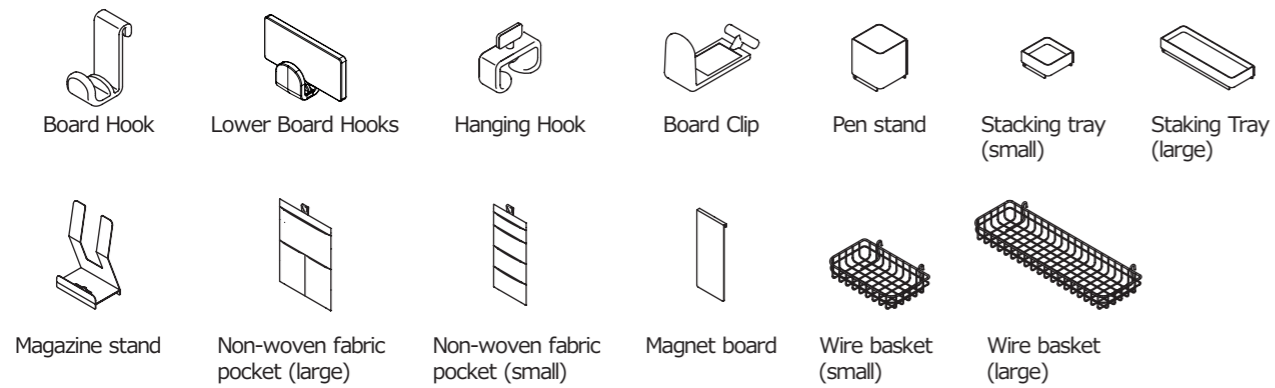
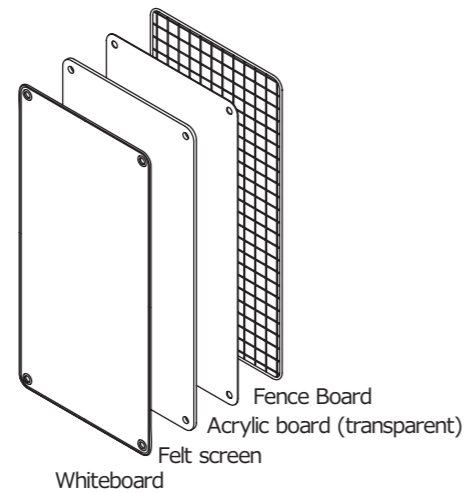


■Hanger Stand



■Option

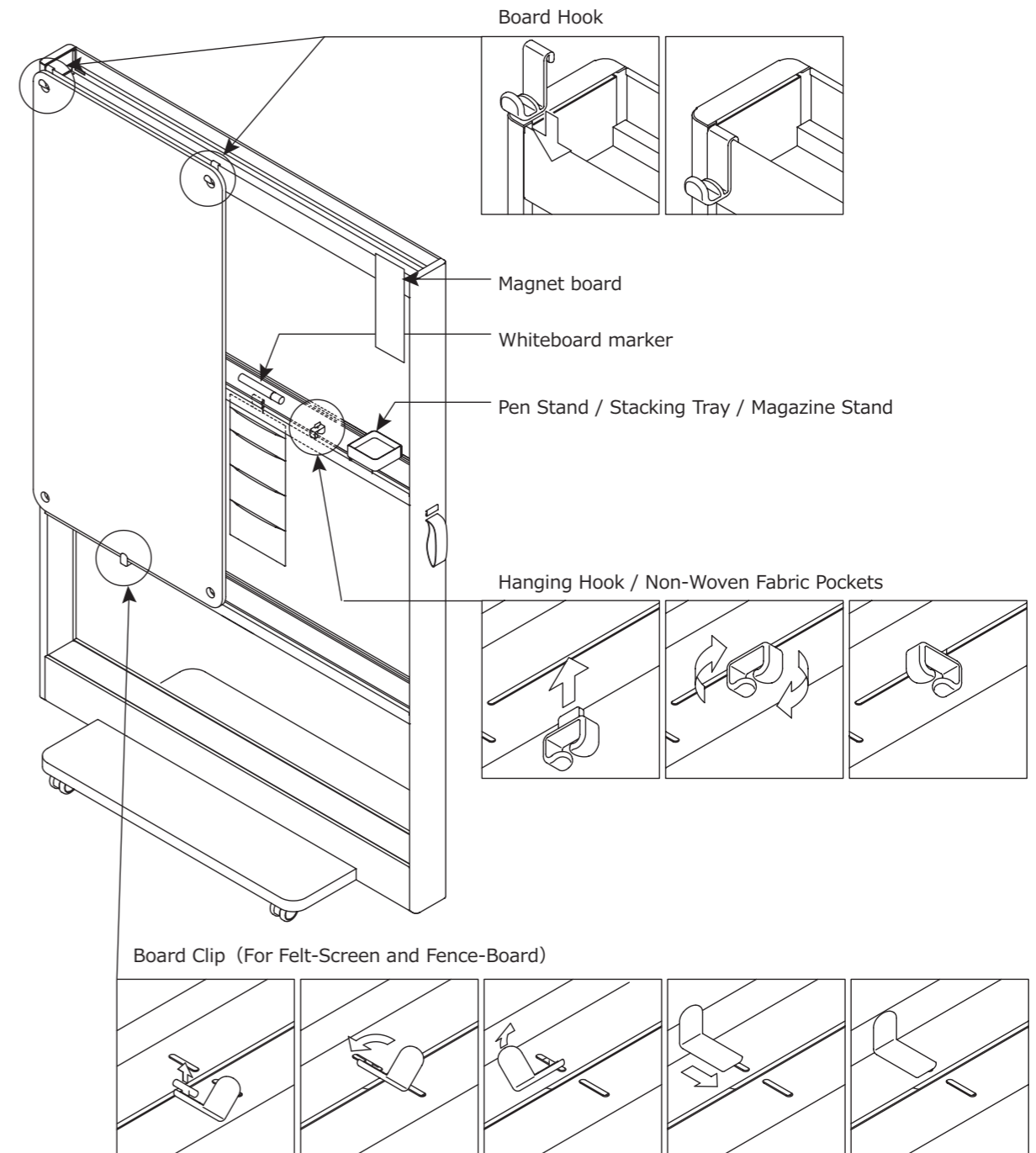
●Board Options



3. Operation Guide

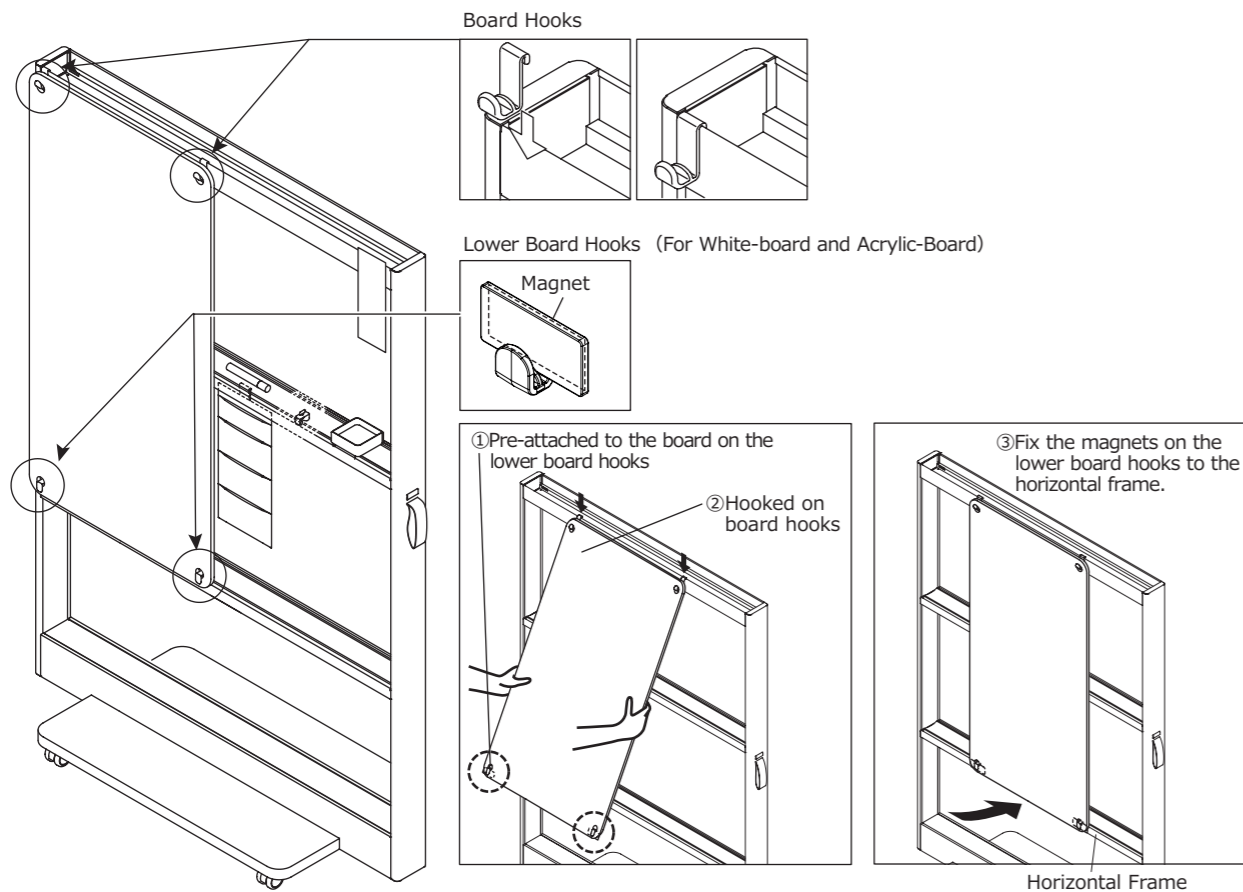
How to use the board stand

- The magnet board can be hung from the upper frame or cross rail.
- When hanging the board, use the board hook to hook the hole on the upper part of the board, and hold the bottom of the board down with a board clip.
- When using pen stands, stacking trays, and magazine stands, hang them on the cross rail (for board stands only).
- Insert hanging hooks into the slit beneath the cross rails, and use them to hang the non-woven fabric pockets.
- The upper part of the cross rail can be used to store pens temporarily.



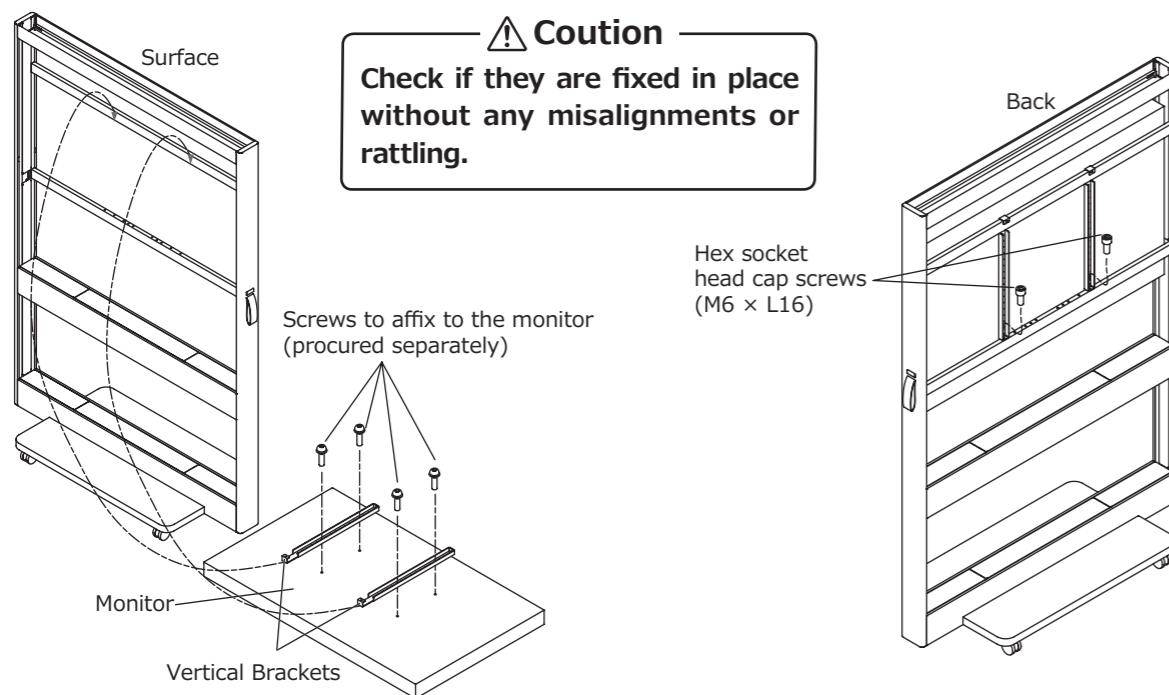
3. Operation Guide

How to use the board stand (MT26DA G636)



Mounting the monitor

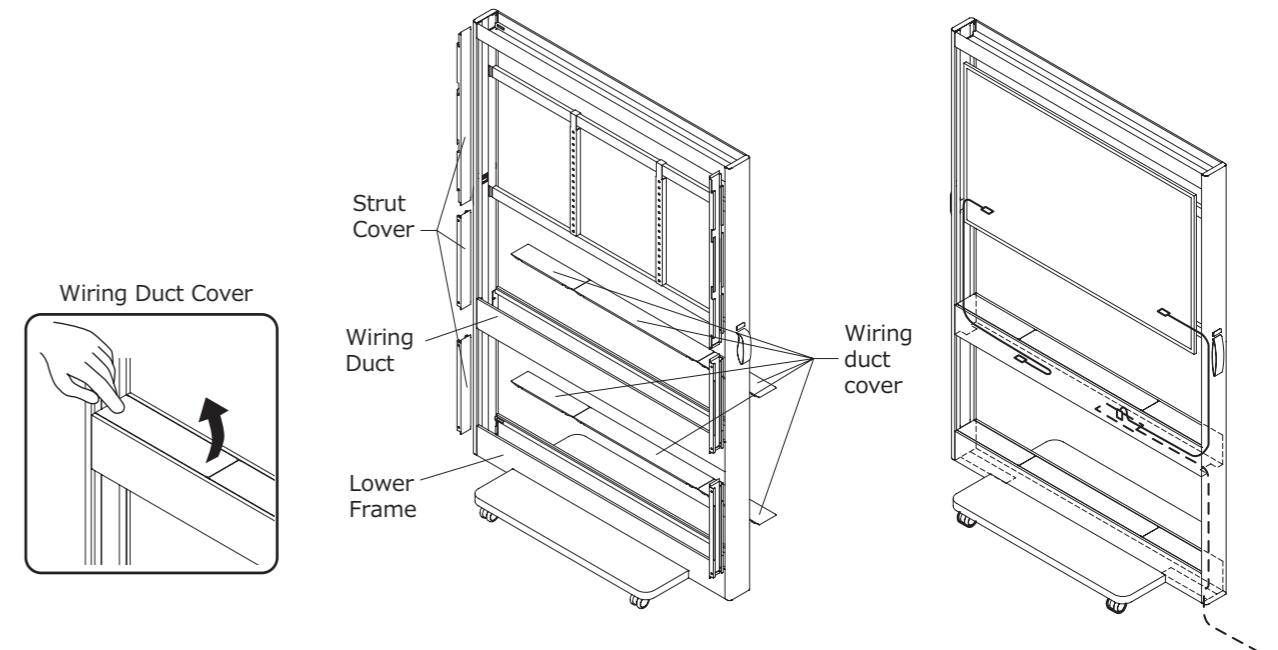
- ① Affix the vertical brackets to the monitor. (Please procure the screws to affix to the monitor separately.)
- ② Hook the upper parts of the vertical brackets on the upper horizontal beam of the monitor stand, and secure the lower part with hex socket head cap screws.



3. Operation Guide

Wiring Method

Remove the strut cover and wiring duct cover, and wire inside the strut, inside the wiring duct, and inside the lower frame. The small wiring duct covers (4 places) on both ends can be lifted by pressing on the ends with your fingers.



4. Instructions to Extend the Life of Product

Please follow the instructions below. Failure may cause damage to the product. In that case, Okamura will not take any responsibility or liability for any phenomena caused.

Operating Precautions and Maintenance

- If the product has become unsteady due to loosening of the bolts or screws during use, retighten them immediately.
 - This Instruction Manual is very important, so store it in an easily accessible location.
 - Regular maintenance is recommended for long-life use. Please request us early for inspections and repairs (fees required) when the warranty has expired.
 - If the marker is stored in a vertical position, the components may shift and make it difficult to erase. Be sure to shut the cap tight and store it horizontally.
 - Please note that contact with sharp or hard objects may damage the surface finish. Also, please avoid using tape or other adhesive material on the board surface.
 - Due to the properties of the marker, transparent outlines may remain. Also, if any writing is left on the board surface for 3 days or more, it may become difficult to erase. In such cases, wipe it with a damp cloth that has been wrung out tightly, and dry wipe afterwards.
 - The eraser should be replaced when it wears out. If the eraser becomes difficult to clean or if it is damaged, please replace it. We also recommend regular replacement.
- [Whiteboard]**
- Please use dedicated whiteboard markers to write on the whiteboard surface. Ease of writing will vary depending on the combination of whiteboard, marker, and eraser. We suggest using the products recommended in our catalog.
 - If you erase your writing immediately afterwards, ink residue may remain. We recommend erasing after about 10 seconds, when the release agent (an ingredient that makes it easier to remove the ink) has settled.