

Materials and Surface Finish

Part		Materials	Surface Finish	
Desk/Table	Worktop	Surface materials	High Pressure Laminate	-
		Core material	Steel	-
		Edge material	ABS	-
	Leg	Steel	Bake coating	
	Center Rail	Steel	Bake coating	
	Modesty Panel	Bench Double	Felt	-
		Single	Steel	Bake coating
	Beam	Steel	Bake coating	
Wiring Duct	Steel	Bake coating		
Wiring Cover	Surface materials	AL(Aluminium)	-	
	Body	ABS	-	
Panel	Flont/ Side/ End	Surface materials	Polyester	-
		Core material	Steel	-
		Upper	Acrylic	-
Monitor Stand	Main body	Steel	Bake coating	

* Please understand that product specifications might change without prior notification due to improvements made to the product.

Office System Workflex

【Bench•Desk•Table•Option】

Instructions for Use



Safety Instructions (Make sure to follow these instructions)

⚠ Caution This indicates that improper handling may cause injury or property damage.

⚠ Caution

Do not handle roughly, or use improperly. Failure to follow the safety precautions may cause injury or damage to the product.

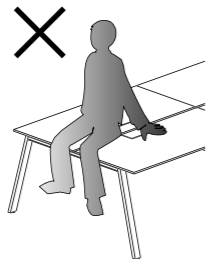
- Do not step/stand on the desk or wagon. Failure may cause you to fall and get injured.
- Do not step/stand on the desk or wagon. Failure may cause you to fall and get injured.
- The lock of the product is not burglar-proof. Do not keep any valuables in the product.
- Do not use as a carrier.

Do not put your fingers or hands into the spaces or moving parts of the product. This may lead to injuries.

- When housing a wagon under the Worktop of the desk, be careful not to get hands or fingers caught between the wagon and the Worktop.

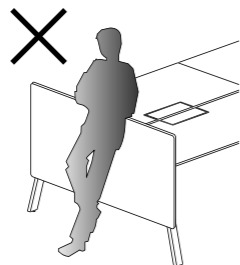
Be careful of the following items since it may cause injury or damage the product.

- Do not hang on or lean on to the product. Failure may cause serious damage to the product.



- Do not place any heavy objects on the corner of the desk.

- Do not hang on or lean on to the panel. Failure may cause damage to the product or you to fall and get injured.



- If found unstable due to loosening of bolts or screws, retighten them.
- Do not use if any parts come off.

Disassembly, assembly, or layout change may cause accidents. Make sure to contact the retail outlet where you purchased the product or our official dealers.

Do not move the desk with equipment connected. Failure may cause equipment to be disconnected or overturned.

Assign two or more persons to the adjuster operation. Securely hold the product not to cause hands or feet to be caught.

Make sure to remove the key after use. Failure may cause injury or damage clothes.

Do not disassemble or repair on your own.

- Do not attempt to disassemble or repair the product yourself. Please contact our official dealers when needed.
- If found any loose bolts or screws, do not use the product. Failure may cause damage to the product and result in injury.

Do not reconfigure. This leads to malfunction or accident.

- Reconfiguring by yourself causes the product to malfunction or accident. Okamura will have no responsibility for any disadvantages caused by remodeling.
- If you need remodeling, contact our official dealers beforehand.

⚠ Caution

Do not load anything more than the maximum loading capacity of the product. It may cause you to fall or damage to the product.

Loading part	Maximum loading capacity
Worktop	100 kg (220 lb) (uniformly distributed weight)
Huck	5 kg (11 lb) (uniformly distributed weight)

*What is "Uniformly distributed weight" ?

It means to load on a work surface, etc. evenly. Uneven loading on the product may cause balance loss and thus drop or fall.

Installation

Please follow instructions below. Failure may cause serious damage to the product and Okamura will have no responsibility for any damages.

Indoor use only.

- No outdoor or waterfront use.

Do not place product under heater or air-conditioner exhausting high temperature air.

Avoid direct sunlight

- When placing alongside windows, use curtains or blinds to avoid direct sunlight.

Do not place on uneven floor.

- Make sure to place the product on an even floor when using. Failure may cause the product to deform or to be damaged.
- Adjust using the adjusters so the product is horizontal to the floor.

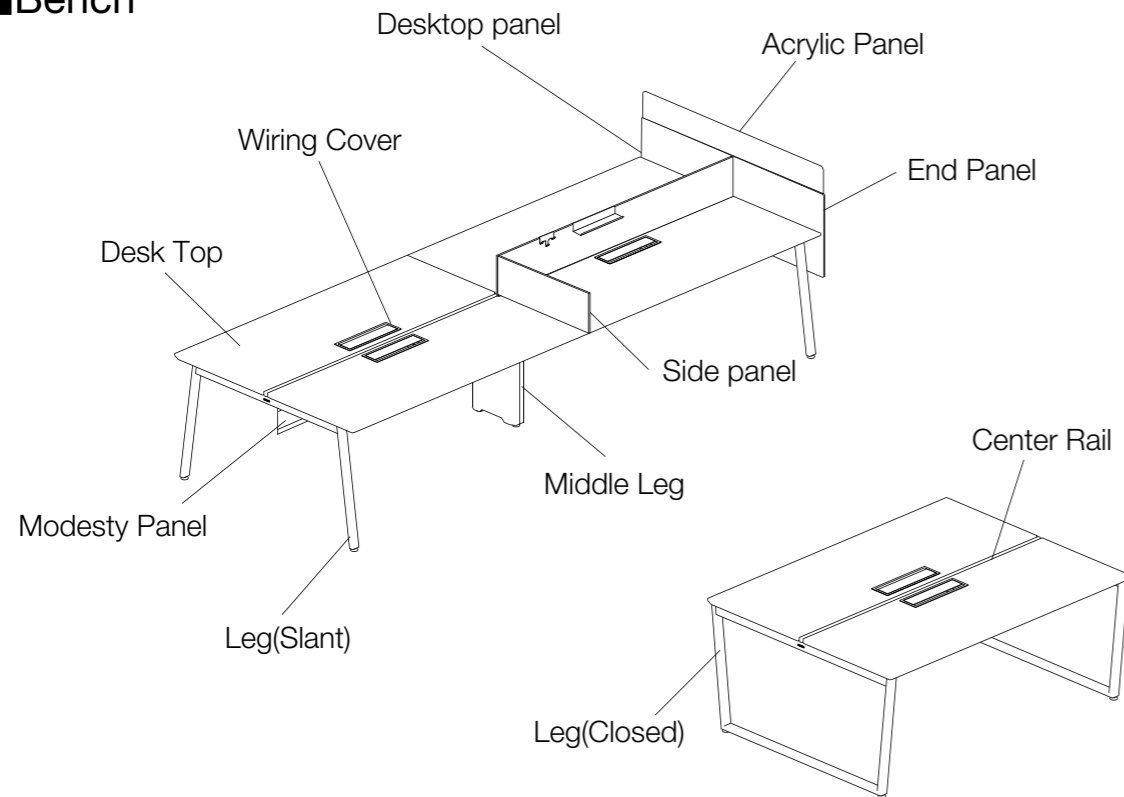
Avoid high temperature, high humidity, or extraordinary aridity.

Appropriate Ventilation Measures

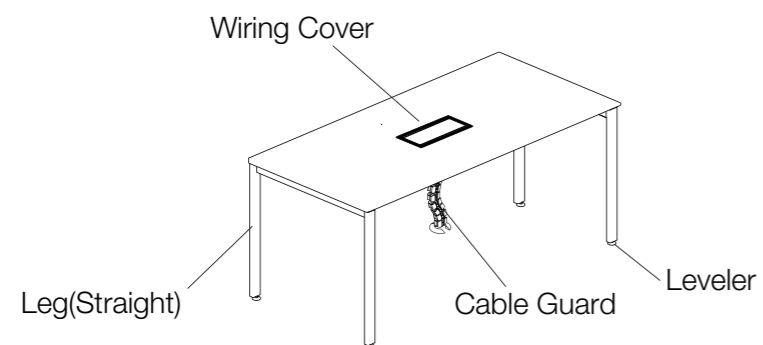
- Many chemical substances will be released by the product when it is first purchased. Sufficiently ventilate or expose the product to moving air for some time after purchasing it.
- Do not completely close windows when using the product in rooms with conspicuously high temperatures/ humidity (the benchmarks for these are temperatures in excess of 28°C (82.4°F) and relative humidity in excess of 50%).

Parts Name

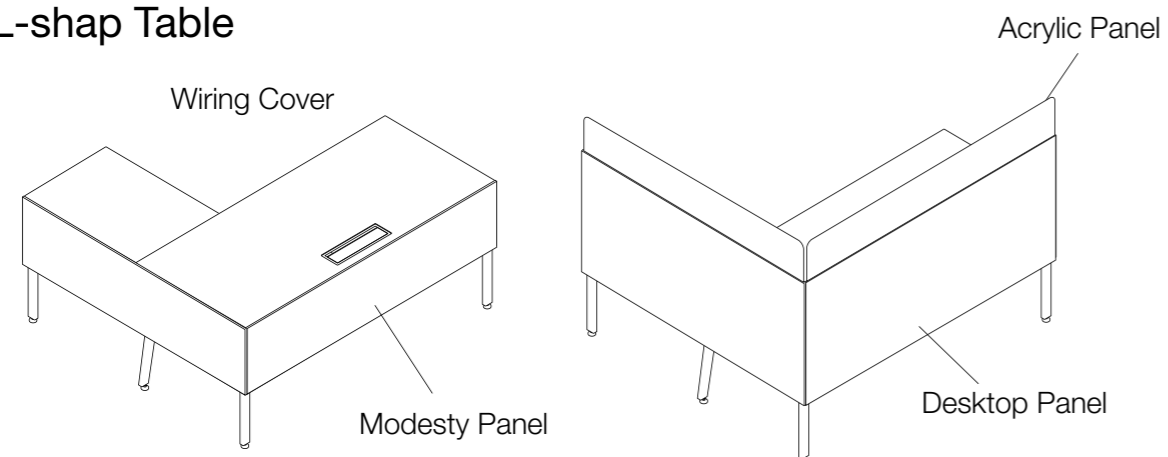
■ Bench



■ Meeting Table



■ L-shap Table



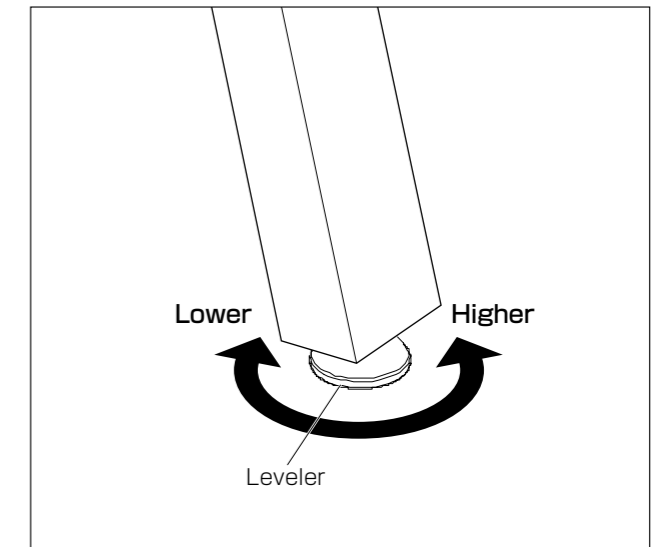
Operation Guide

■ Tabletop Height Adjustment (Top up/top down)

The tabletop height can be adjusted by turning the leveler under the legs in the range of 0 to 15 mm. When placing the product, be sure to level the tabletop by the leveler.

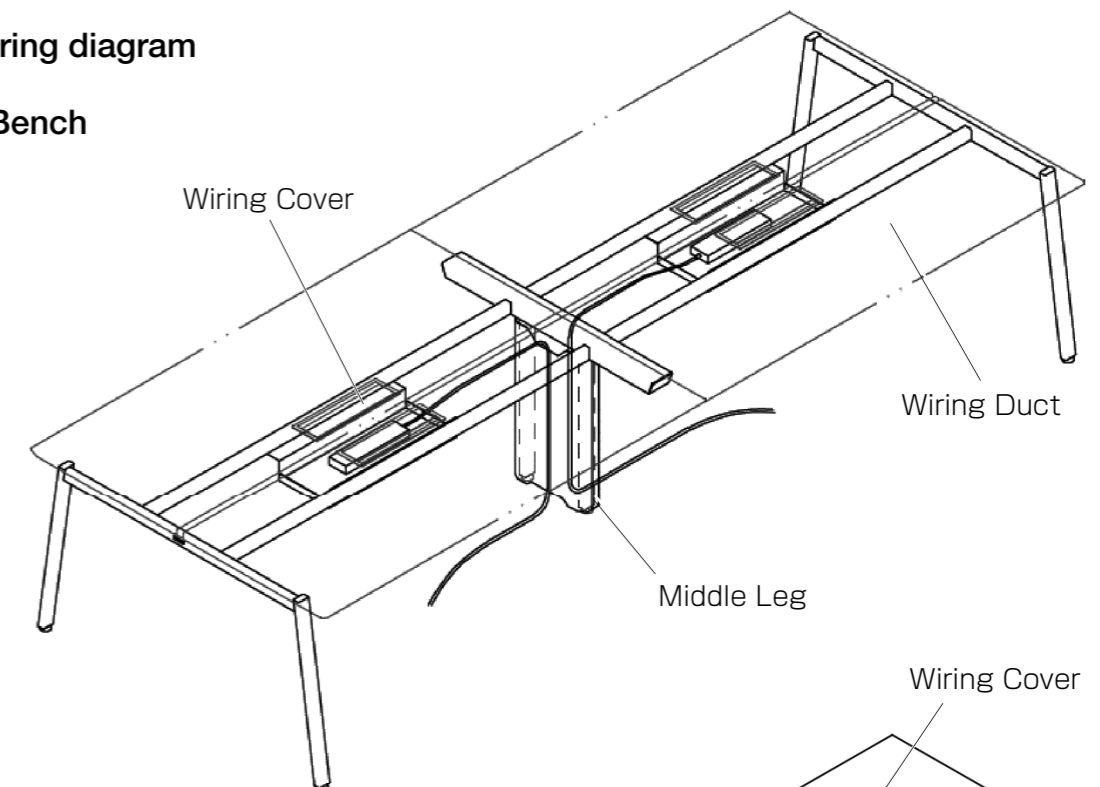
⚠ Caution

Be sure to perform height adjustment with more than two people using extreme caution so as to prevent your hands and fingers from getting caught.

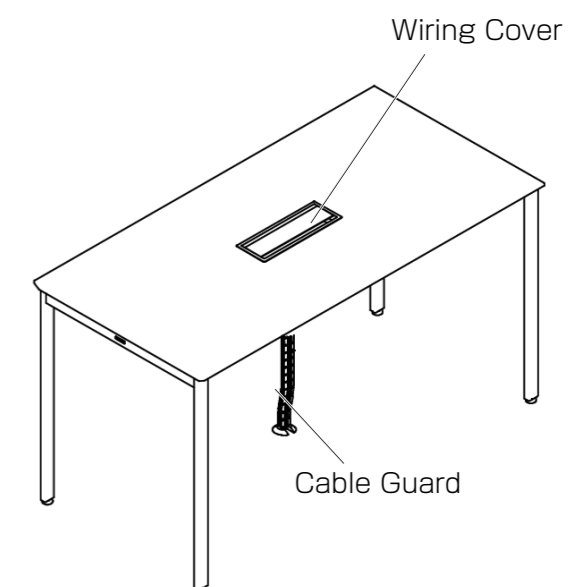


■ Wiring diagram

● Bench



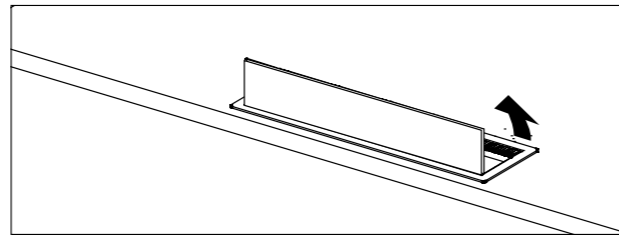
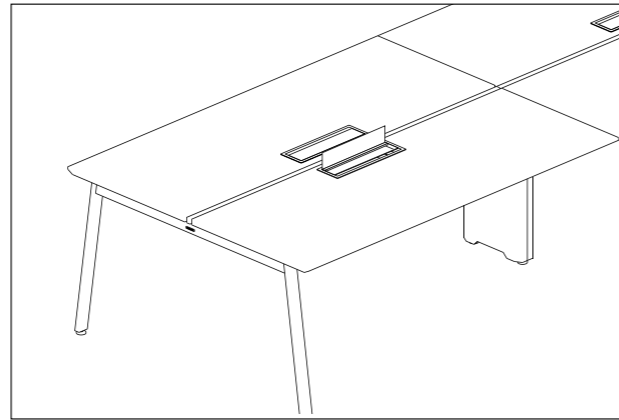
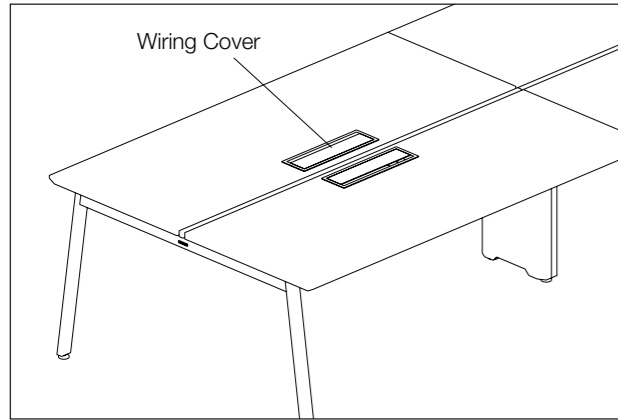
● Meeting Table



Operation Guide

■Wiring Cover

Open/close the Flip Lid while holding its front part. Open the Flip Lid (turn it to lift) to access the cables, OA tap, etc. in the wiring duct. The Flip Lid can be removed for wiring maintenance.

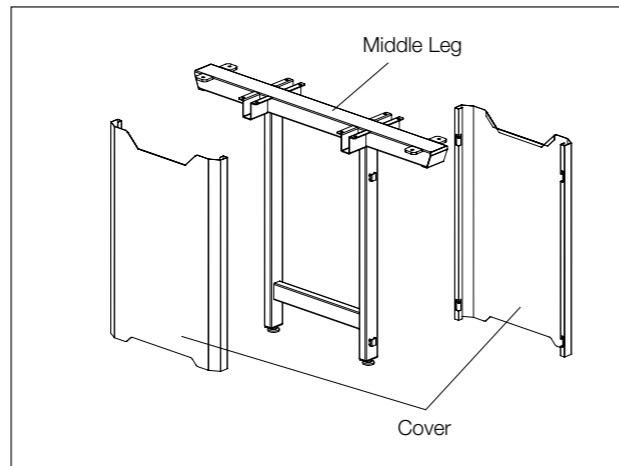


■Riser wiring of Middle Leg

Middle Leg is provided with a duct for raising the wire. Remove the duct cover as shown in the figure before use.

【How to detach Duct Cover】

Hook your finger on the upper and lower cut-away portions of the dust cover. While lifting, pull the cover toward you to remove it.

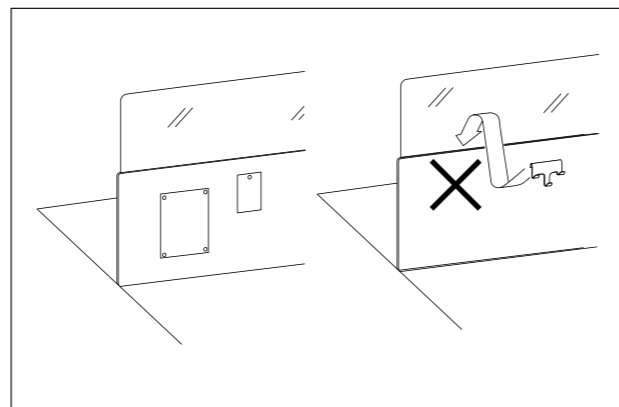


■Panel

Hang hooks or shelf accessories in the groove at the top of the panel.

Since the core material of the panel is steel, magnets can be used.


Accessories cannot be used when using acrylic panels.



Instructions to Extend the Life of Product

Please follow instructions below. Failure may cause serious damage to the product and Okamura will have no responsibility for any damages.

Operating Precautions and Maintenance

- If the product has become unsteady due to loosening of the bolts or screws during use, retighten them immediately.
- Do not use any sharp-edged objects such as a knife on the Worktop. Failure may damage the Worktop.
- Do not place any hot objects directly on the Worktop. Failure may leave white stains.
- Avoid direct exposure to steam. Failure will cause rust.
- Wipe off any moisture on the worktop (especially around the edges) immediately with a soft cloth. 
- The top plate may be deformed.
- This instruction manual is very important, so store it in an easily accessible location.
- Regular maintenance is recommended for long-life use. Make your request to us early for inspections and repairs (fees required) when the warranty period has expired.

Maintenance

Cloth part

- Brush with a soft brush or tap the surface softly and vacuum to remove dust to avoid damaging the cloth.
- When it gets dirty after extended period of time, wipe with a well wrung soft cloth moistened with thin neutral detergent. Wipe clean with a damp cloth. Be sure to wipe detergent completely and wipe again with a dry cloth to dry it.
- When using alkaline electrolyzed water to remove stains, spray directly on the stain and brush with a soft brush taking care not to damage the cloth. Then, wipe the moisture and stain to remove and wait for the cloth to dry.
- When it gets an oily stain, dab and remove it by using a dedicated stain remover immediately. Then wipe with a soft cloth dampened with water, followed by a dry cloth to dry. Stains may be permanent depending on the material

<Caution>

- Remove stains as quickly as possible.
- To avoid causing a circular stain, remove not only the stain but also wipe off thoroughly around the stain.

- Try the cleaner on inconspicuous area first since the surface may discolor or deteriorate by using it.

Steel part, Worktop

【For daily care】

- Wipe off with a soft cloth dampened with water.
- When it gets dirty, moisten the cloth with thin neutral detergent. Use a damp cloth to wipe off detergent completely. Wipe dry with a dry cloth.

<Caution>

- Do not leave any water on the Worktop. Do not use a chemical cloth or an organic solvent such as thinner and benzene. Please note that the Worktop with its color or texture deteriorated cannot be restored to its original state.

Resin part

- Wipe off with a dry soft clean cloth.
- When it gets dirty, moisten the cloth with thin neutral detergent. Use a damp cloth to wipe off detergent completely. Wipe dry with a dry cloth.