

Materials and Surface Finish

Part		Materials	Surface Finish		
Leg/Frame	Painted	Aluminum	Powder coated		
	Anodized	Aluminum	Clear anodized		
Corner joint (with-frame table)		Steel	E-coated		
Corner joint (frameless table)		Aluminum	Powder coated		
Leveler base		Aluminum	Powder coated		
Leveler		Steel/zinc/polyurethane	—		
Tabletop	Laminate	Surface	High pressure laminate	—	
		Core	MDF	—	
		Edge	Plastic edgebanding	—	
		Backing	High pressure laminate	—	
	Wood veneer	Surface	Wood veneer	Urethane coated	
		Core	MDF	—	
		Edge	Wood edgebanding	Urethane coated	
		Backing	Wood veneer	Urethane coated	
	Glass	Surface	Tempered glass (back-painted)	—	
		Substrate	Surface/ backing	High pressure laminate	—
			Core	MDF	—
			Edge	Plastic edgebanding	—
Solid surface	Surface	Corian®	—		
	Substrate	MDF	Urethane coated		

* Please understand that product specifications might change without prior notification due to improvements made to the product.

Conference table

traverse satellite

Instructions for Use



OKAMURA

OKAMURA CORPORATION

INTERNATIONAL SALES & MARKETING DIVISION
 2-14-27, Akasaka, Minato-ku, Tokyo 107-0052, JAPAN
 Tel : +81-3-5561-4085 Fax : +81-3-5561-4086
<http://www.okamura.jp/>

GD3129
 2019-08

OKAMURA

Safety Instructions (Make sure to follow these instructions)

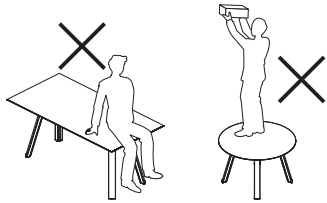


User must follow this instruction to prevent accidents and injuries, or damages to their property.

Caution

Do not handle roughly, or use improperly. Failure to follow the safety precautions may cause injury or damage to the product.

- Do not use the product as a stepstool.
- Do not stand, jump, lean, or unstably sit on the product.
- Be sure to gently place any objects on the tabletop.



When moving or storing the product due to changing the floor layout or other purposes, observe the following.

- Do not move the product with any objects placed on the tabletop. Be sure to remove cables (power/AV) which are connected to the floor/wall.
- When adjusting the height of the tabletop, be sure to support the product firmly with more than two people to prevent your hands or feet from being caught.

Uneven loading on the product may cause balance loss and thus drop or fall.

Do not disassemble or repair on your own.

- Do not attempt to disassemble or repair the product yourself. Please contact our official dealers when needed.
- Do not use with bolts and screws loosen. Failure may cause damage to the product and result in injury.

Be careful of the following items since they may cause injury or damage the product.

- Do not keep using the product if you are aware of any unusualness in the product. Failure may cause damage to the product and result in injury.
- If found unstable due to loosening of bolts or screws, retighten them.
- Do not use the product if any parts are separated from it.

Do not to put your fingers or hands into the spaces or moving parts of the product. This may lead to injuries.

- Never put your fingers or hands near or into any moving parts or gaps on the rear of the top panel. Your fingers may get caught in the gaps or moving parts.

Do not modify the product after purchase. This may lead to malfunction or accidents.

- Modifying the product by yourself may cause the product to malfunction or may cause accidents or injuries. Okamura is not responsible for any damages caused by modification.
- Please contact an official okamura dealer in advance when needed.

Characteristics of Natural Wood

As natural wood is a natural material, each color and grain pattern is unique. The protective surface coating increases the durability of the product, giving a soft and subdued color and texture of the natural wood. Depending on the wood, the color varies due to its natural characteristics. The wood color grows rich and elegant over time. Some products may have a noticeable wood smell. High humidity may lead to mold growth. Ventilation on a regular basis is recommended. Ensuring you understand these characteristics, please read these Instructions for Use carefully before installation and use.

* Natural wood includes solid wood, wooden veneer, artificial veneer, plywood, molded ply wood, laminated wood, and MDF.

Installation

Please follow instructions below. Failure to do so may cause serious damage to the product. Okamura is not responsible for any damages caused by modification of the product.

Indoor use only.

- Do not use outdoors or in wet places. Exposure to moisture may cause the product to malfunction due to distortion or mold.

Avoid direct sunlight.

- When placing alongside windows, use curtain or blind to avoid from direct sunlight.

Avoid high temperature, high humidity, or extreme aridity.

Do not place product under heater or air-conditioner exhausting high temperature air.

Place the product on an even floor.

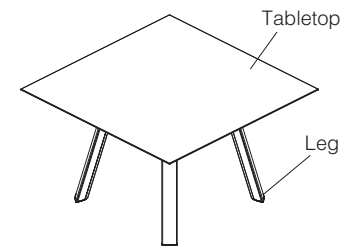
- Failure to do so may cause deformation of the unit or damage to the moving parts.

Appropriate Ventilation Measures

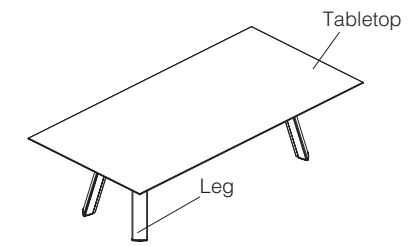
- Chemical substances may be released by the product when it is first purchased. Sufficiently ventilate the room after installing the product.
- Do not completely close windows when using the product in rooms with conspicuously high temperatures/humidity (the benchmarks for these are temperatures in excess of 28° C (82.4° F) and relative humidity in excess of 50%).

Part names

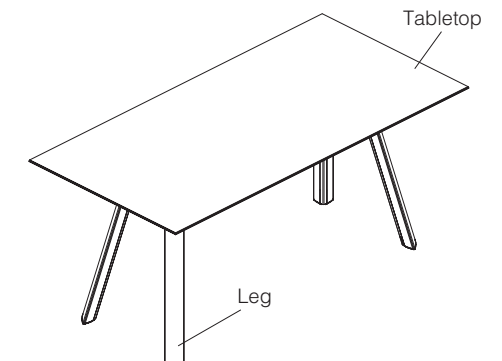
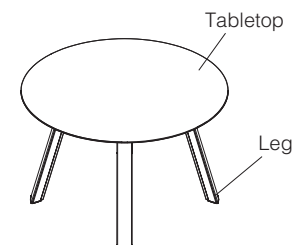
■ Square Shape



■ Rectangle Shape



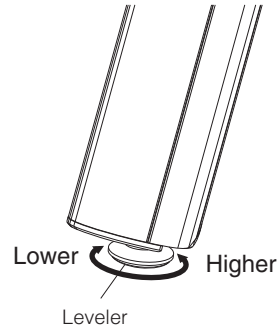
■ Round Shape



Operation Guide

■ Tabletop Height Adjustment (Top up/top down)

The tabletop height can be adjusted by turning the leveler under the legs in the range of 0 to 10 mm (0.39"). When placing the product, be sure to level the tabletop by the leveler.

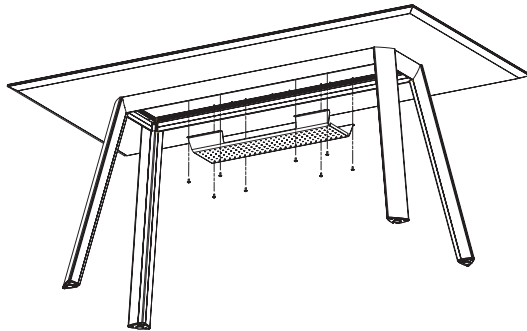


⚠ Caution

Be sure to perform height adjustment with more than two people using extreme caution so as to prevent your hands and fingers from getting caught.

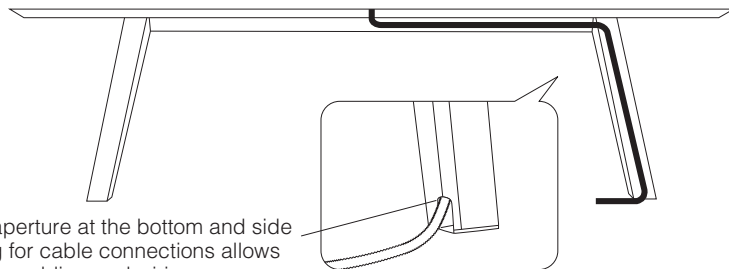
■ Wire management tray

Loose cables can be stored in the wire management tray under the tabletop.



■ Wiring in the legs

Run the cables inside the beams and legs to keep the appearance neat.



Operation Guide

■ Leg wiring cover and wiring cap

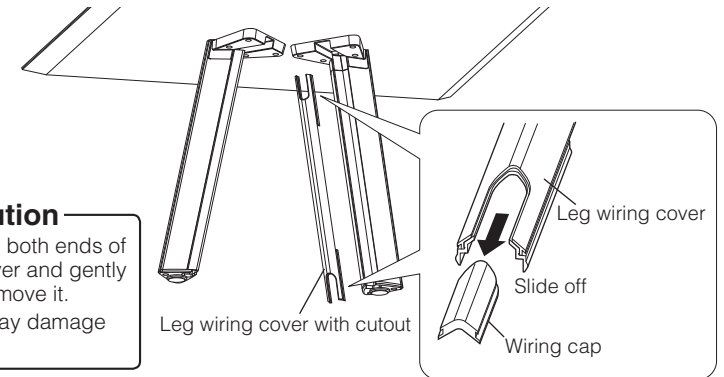
- Remove the leg wiring cover gently from a leg where you would like to run cables.
- Slide off the wiring cap from the leg wiring cover when you need more room to run cables.
- Store the wiring cap for future use.

* One of the four covers has a cutout as standard.

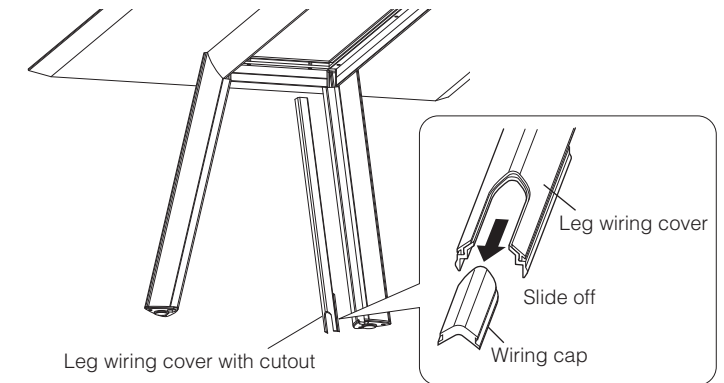
● Small leg

⚠ Caution

Hold the edge on both ends of the leg wiring cover and gently pull straight to remove it. Applying force may damage the plastic clips.



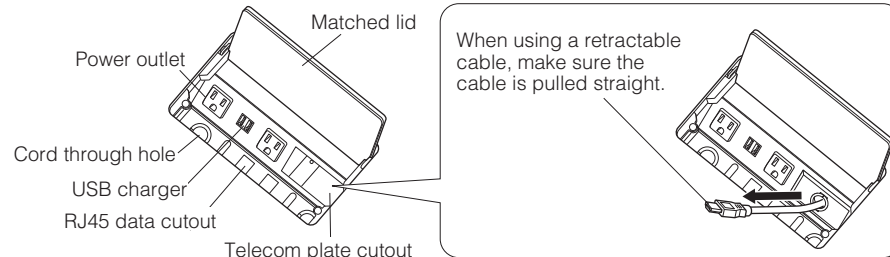
● Large leg



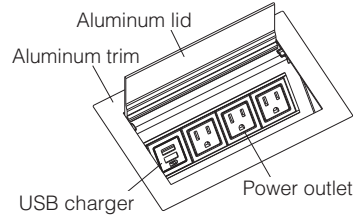
Operation Guide

Power accessories – In-surface power unit

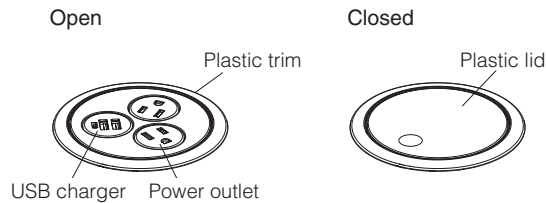
● Tech Port (Trimless Matched Lid)



● Rectangle Aluminum Lid

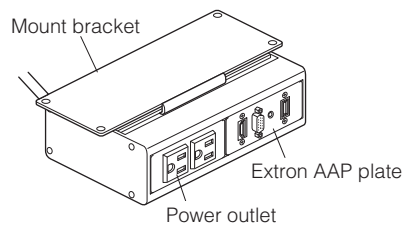


● Round Flip Lid

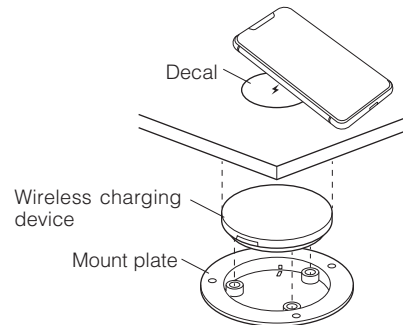


Power accessories – Under-mount power unit

● Tech Cradle



● Wireless charger

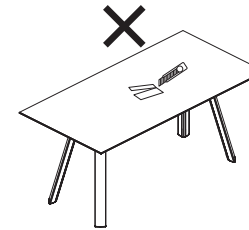


Instructions to extend the life of product

Please follow instructions below. Failure to do so may cause serious damage to the product. Okamura is not responsible for any damages caused by modification of the product.

Operating precautions and maintenance

- If the product is found unstable due to loose bolts and screws, tighten them.
- Do not use in places exposed to vapors. This could cause rusting.
- Do not use sharp objects such as a knife on the tabletop as it may cause scratches or damages to the surface.
- If the product gets wet with water, wipe off with dry and soft cloth.
- If you spill tea, coffee, detergent, medicine, or some other liquid on the product, wipe off immediately.
- Do not place a glass, a vase or a metallic object directly on the coating as this may cause scratches to the surface. In particular, note that porcelain and pottery have a rough surface on their bottoms.
- This instruction manual is very important, so store it in an easily accessible location.
- Regular maintenance is recommended for long product life. Make requests to us immediately when a repair or inspection is needed (fees required after expiration of warranty).



For daily care

Wooden part

- Wipe gently along the grain with a soft, clean, dry cloth.
- If the product becomes noticeably dirty, remove the dirt using a soft cloth dampened with water, then use a dry cloth to absorb water residue.
- For a more thorough cleaning we recommend using a mild cleaner (thin neutral detergent).

<Caution>

- Do not use the following as they may damage the coating.
 - Thinner, benzene, alcohol, lacquer, oil, vinegar, boiling water, polisher, etc.
- Frequent wiping with a damp cloth may cause cracking of the coating. It is recommended to use a dry soft cloth or our wiping cloths for daily care.

Aluminum part

- Wipe off with a dry soft clean cloth.
- If moisture is collected or substances such as fingerprints or sebum are adhered, wipe it off immediately. Leaving moisture, liquid, fingerprints, or sebum on the surface accelerates oxidation of the aluminum part and deteriorates gloss and texture.

Steel part and other tabletop materials

- Wipe off with a dry soft clean cloth.
 - When the product gets dirty, moisten a soft cloth with thin neutral detergent and wipe off immediately. Wipe clean with a damp cloth. Be sure to wipe detergent completely and wipe again with a dry cloth to dry it.
- <Caution>
- Do not leave the product with moisture remaining on it. Do not clean the product with organic solvents such as thinner or benzene, or with a cloth that contains chemicals. Be aware that once discoloration or deterioration happens, it cannot be reverted.