

Creative furniture

SPRINT

[wagon]

Instructions for Use




1. Safety Instructions (Make sure to follow these instructions)

Information on Graphic Symbols

This Instruction Manual and indications on the products use various types of symbols to help you safely and correctly use the products, preventing you, people nearby, and properties from being damaged. The symbols mean as shown below. Make sure to understand the meaning of the symbols well before reading the instructions.

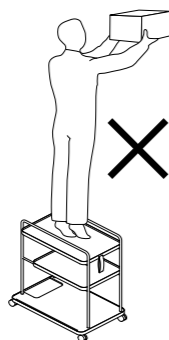
 CAUTION	This indicates that improper handling may cause injury or property damage.
--	---

 The symbols are there to call your attention to the parts indicated.

CAUTION

Do not handle roughly, or use improperly. Failure to follow the safety precautions cause injury or damage to the product.

- Do not use this product as a step stool.
- Do not stand on the wagon, lean on it, or sit on the shelf.



Be careful of the following items since it may cause injury or damage the product.

- If the product starts to creak due to loose bolts or screws, please be sure to tighten them again. Loosening may cause problems.
- Do not use the product if any parts have come off. It may cause damage or lead to accidents, such as tipping over.

Do not disassemble or repair the product.

- Do not attempt to disassemble or repair the product yourself. Please contact our official dealers when needed.
- Do not use the product with loose bolts or screws. Failure may cause the main unit to be broken and cause injury.

Do not put your hands or fingers in the gaps or movable portions. Careless handling may cause injury.

Never remodel the product. Failure may cause a malfunction or accident.

- Remodeling by the customer may cause a malfunction. In that case, Okamura will not take any responsibility or liability for any phenomena caused.
- If you need to remodel the product, contact our Customer Service

Do not load anything more than the maximum loading capacity of the product. It may cause you to fall or damage to the product.

Loading part		Maximum loading capacity (Uniformly distributed weight)
Team wagon	Upper Shelf	5kg(11 lb)
	Middle Shelf	5kg(11 lb)
	Base Board	30kg(66 lb)
Tool wagon	Upper Shelf	10kg(22 lb)
	Middle Shelf	10kg(22 lb)
	Base Board	20kg(44 lb)
Stock wagon	Base Board	40kg(88 lb)

* What is "Uniformly distributed weight" . . .

It means to load on a work surface, etc. evenly. Uneven loading on the product may cause balance loss and thus drop or fall.

Wheels

- The wheels are consumable parts. Wheel replacement is available for a fee. Contact our Customer Service.

2. Operating Precautions

Please follow the instructions below. Failure may cause damage to the product. In that case, Okamura will not take any responsibility or liability for any phenomena caused.

Installation

Be sure to use the product indoors.

- Do not use the product outdoors or in places exposed to water. Failure may cause damage such as warping and mold.

Avoid places with high temperature, high humidity, and extreme dryness. Failure may cause deformation, discoloration, and mold.

Avoid places directly exposed to heat or wind from stoves or air conditioners. Failure may cause deformation or discoloration.

Avoid places exposed to direct sunlight. Failure may cause deformation or discoloration.

- When installing the product near windows, constantly block direct sunlight with curtains, blinds, etc.

Install the product so that it will be horizontal.

- When installing the product, be sure to keep the body horizontal. Failure may cause the body to be distorted or the movable portion to be defective.

Appropriate Ventilation Measures

- Many chemical substances will be released by the product when it is first purchased. Sufficiently ventilate or expose the product to moving air for some time after purchasing it.
- Do not completely close windows when using the product in rooms with conspicuously high temperatures/ humidity (the benchmarks for these are temperatures in excess of 28°C (82.4°F) and relative humidity in excess of 50%).

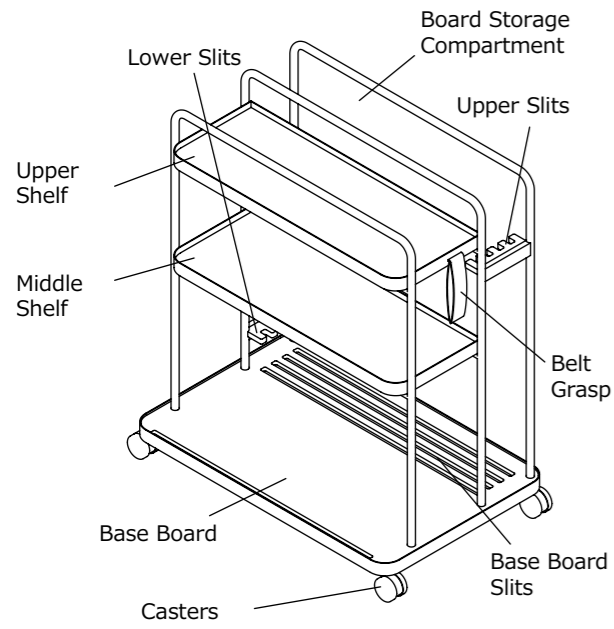
Product Disposal

You are responsible by law for properly disposing of products that you no longer need. When disposing of a product, please dispose of it properly in accordance with the law.

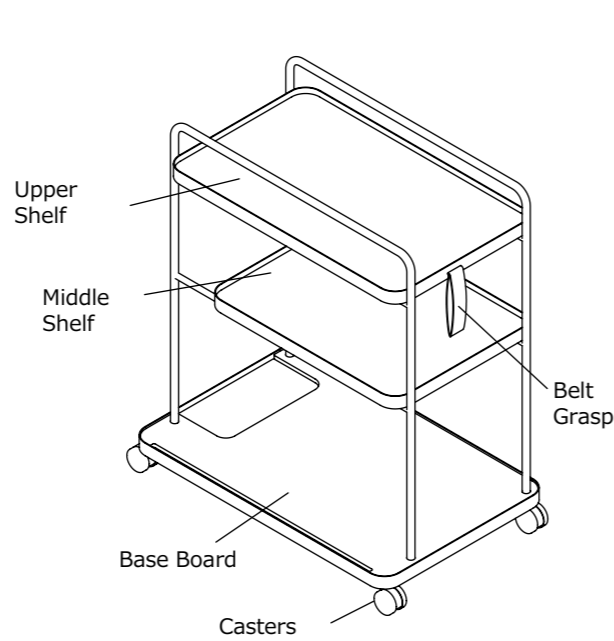
3. Operation Guide

Parts Name

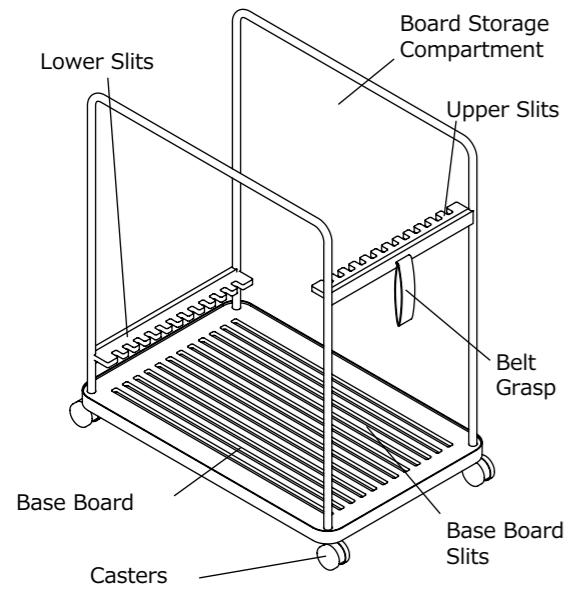
■ Team Wagon



■ Tool Wagon



■ Stock Wagon

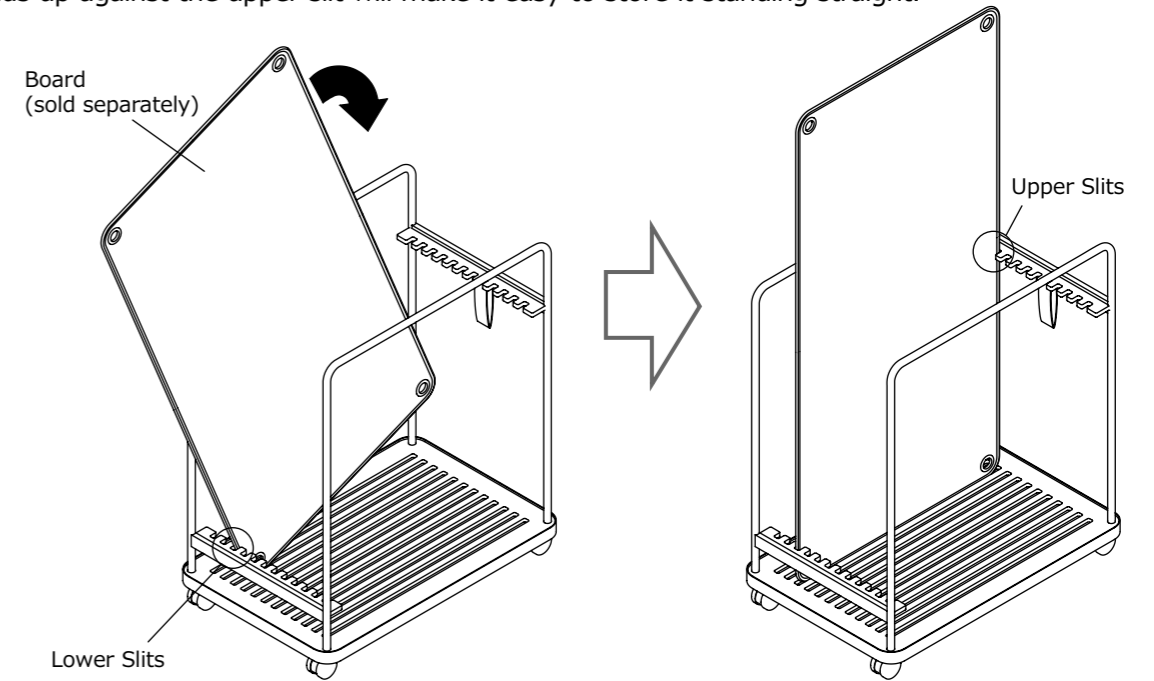


3. Operation Guide

Method of Operation

■ Stowing boards for stock wagons and team wagons

Stock wagons and team wagons can be used to stow boards. Inserting the board at an angle, aiming at the base board slit, and aligning the board so that it stands up against the upper slit will make it easy to store it standing straight.

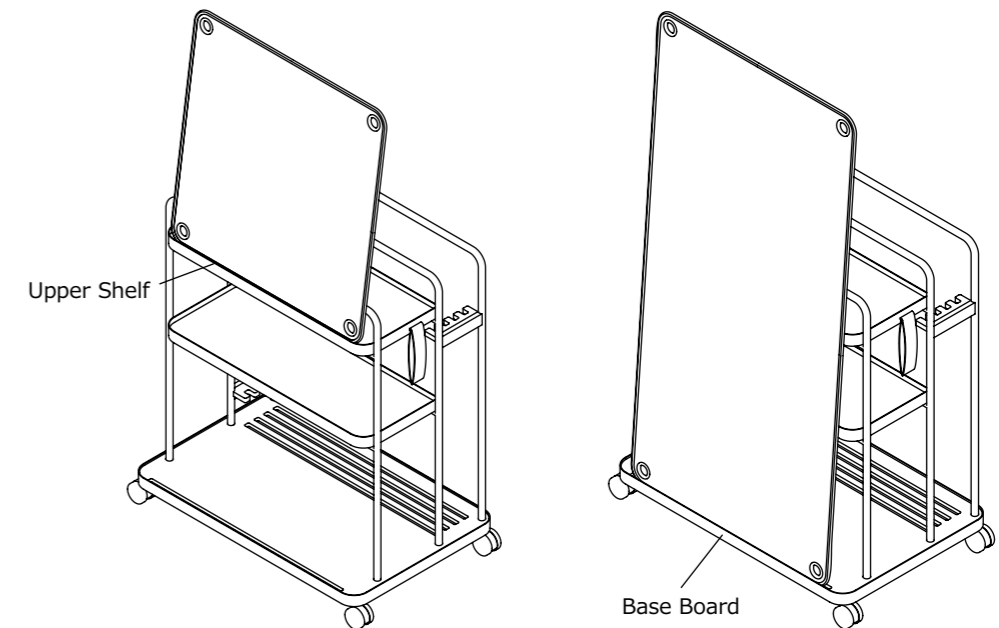


■ Temporary Board Displays Using Wagons

A team wagon or tool wagon can be used to temporarily display a board by leaning the board against it. Insert the board along the edge of the base board and upper shelf and lean the board against it.

⚠ Caution

Please do not move the wagon when the board is leaning against it. The wagon may overturn or be damaged.



4. Instructions to Extend the Life of Product

Please follow the instructions below. Failure may cause damage to the product. In that case, Okamura will not take any responsibility or liability for any phenomena caused.

Operating Precautions and Maintenance

- If the product has become unsteady due to loosening of the bolts or screws during use, retighten them immediately.
- This Instruction Manual is very important, so store it in an easily accessible location.
- Regular maintenance is recommended for long-life use. Please request us early for inspections and repairs (fees required) when the warranty has expired.

Daily care

[Resin Part]

- Wipe with a well wrung soft cloth moistened.
- If dirt is noticeable, wipe it off with a well wrung soft cloth moistened with thin neutral detergent. Be sure to remove detergent completely with a damp cloth and wipe again with a dry cloth to dry it.

[Steel part]

- Wipe off with a dry soft clean cloth.
 - Immediately wipe off any water.
 - Immediately wipe off any dust or fingerprints (sebum).
- 〈Cautions〉
- Do not leave any water on the steel part. Do not use a chemical cloth or an organic solvent such as thinner and benzene. Please note that the product with its color or texture deteriorated cannot be restored to its original state.

5. Specifications

Main materials and surface finish

	Parts	Materials	Surface Finish
Wagon	Frame	Steel	Amino-alkyd resin coating or Polyester coating
	Shelf	Steel	—
	Caster	Nylon	—
	Belt Grasp	polyester	—
	Base Board Slits	polyester	—
	Upper Slits	polyester	—

* Note that the product specifications are subject to change without notice for improvement.