

Creative furniture

SPRINT

[Web camera Stand for Monitor Stand]


Instructions for Use / Assembly Guide




1. Safety Instructions (Make sure to follow these instructions)

Information on Graphic Symbols

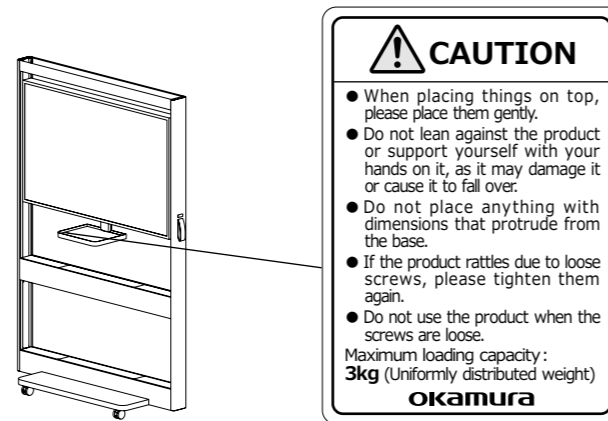
This Instruction Manual and indications on the products use various types of symbols to help you safely and correctly use the products, preventing you, people nearby, and properties from being damaged. The symbols mean as shown below. Make sure to understand the meaning of the symbols well before reading the instructions.

 CAUTION	This indicates that improper handling may cause injury or property damage.
--	---

 The symbols are there to call your attention to the parts indicated.

Explanation Regarding Alert Labels

This product comes with an alert label intended to prevent harm or damage to the user's life, body or property. Please follow the precautions when using the product. Do not intentionally tear, stain, scratch or peel off the label.



CAUTION

Do not handle roughly, or use improperly. Failure to follow the safety precautions cause injury or damage to the product.

- Do not use this product as a step stool or as a transportation equipment.
- Do not lean against the camera stand or monitor stand.

Be careful of the following items since it may cause injury or damage the product.

- If the product starts to creak due to loose bolts or screws, please be sure to tighten them again. Loosening may cause problems.
- Do not use the product if any parts have come off. It may cause damage or lead to accidents, such as tipping over.

Do not disassemble or repair the product.

- Do not attempt to disassemble or repair the product yourself. Please contact our official dealers when needed.
- Do not use the product with loose bolts or screws. Failure may cause the main unit to be broken and cause injury.

Do not put your hands or fingers in the gaps or movable portions. Careless handling may cause injury.

Never remodel the product. Failure may cause a malfunction or accident.

- Remodeling by the customer may cause a malfunction. In that case, Okamura will not take any responsibility or liability for any phenomena caused.
- If you need to remodel the product, contact our Customer Service.

Do not load anything more than the maximum loading capacity of the product. It may cause you to fall or damage to the product.

- Maximum loading capacity: 3kg (Uniformly distributed weight)

* What is "Uniformly distributed weight" . . .

It means to load on a work surface, etc. evenly. Uneven loading on the product may cause balance loss and thus drop or fall.

2. Operating Precautions

Please follow the instructions below. Failure may cause damage to the product. In that case, Okamura will not take any responsibility or liability for any phenomena caused.

Installation

Be sure to use the product indoors.

- Do not use the product outdoors or in places exposed to water. Failure may cause damage such as warping and mold.

Avoid places with high temperature, high humidity, and extreme dryness. Failure may cause deformation, discoloration, and mold.

Avoid places directly exposed to heat or wind from stoves or air conditioners. Failure may cause deformation or discoloration.

Avoid places exposed to direct sunlight. Failure may cause deformation or discoloration.

- When installing the product near windows, constantly block direct sunlight with curtains, blinds, etc.

Install the product so that it will be horizontal.


- When using the product, please keep the main structure horizontal. Installing it where it cannot be kept horizontal may distort the structure.

Appropriate Ventilation Measures

- Many chemical substances will be released by the product when it is first purchased. Sufficiently ventilate or expose the product to moving air for some time after purchasing it.
- Do not completely close windows when using the product in rooms with conspicuously high temperatures/ humidity (the benchmarks for these are temperatures in excess of 28°C (82.4°F) and relative humidity in excess of 50%).

3. Assembly Guide

Safety Instructions (Make sure to follow these instructions)

 Caution	This indicates that improper handling may cause injury or property damage.
--	--

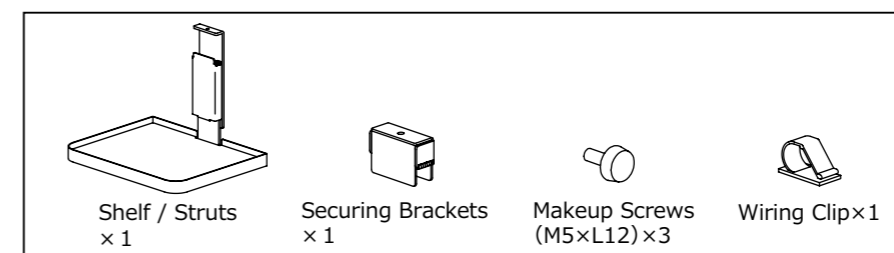
CAUTION

- Secure enough workspace before assembly. Failure to do so may cause unexpected injury.
- Assembly must be conducted by two or more people. Conducting by one person may cause injury.
- Use specified tools for assembly. Improper assembly, such as not completely tightening screws, may cause damage to the product or cause the product to overturn resulting in injury.
- Take gloves off when using power tools. Gloves may get caught in tools causing injury.
- Be careful when handling the ends and backs of parts, and with the gaps between parts. Careless handling may cause injury.

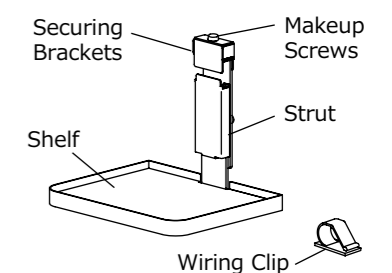
Assembly Preparations

- Ensure that you have all the parts required.
- Prepare tools for assembly.
- For screws, lightly tighten and then completely tighten them.
- Handle the product with care.

Components Make sure that you have all of the necessary parts before



Parts Name



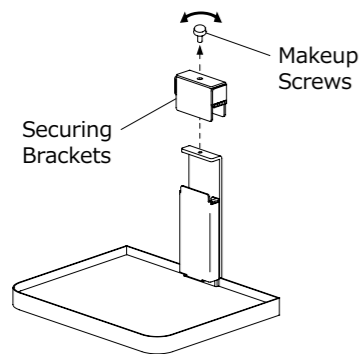
3. Assembly Guide

Assembly Instructions

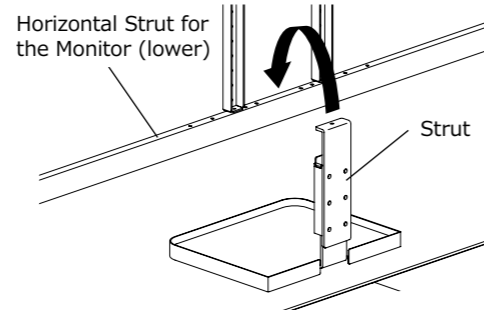
Assemble the product correctly according to the procedure.

1 Installing the Web camera Stand (below the monitor)

① Loosen the screws on the upper part of the monitor stand and remove the securing brackets.



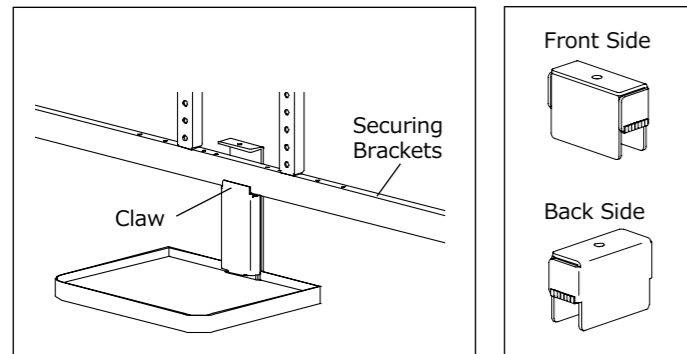
② Place the strut of the Web camera Stand so that it can be hooked to the center of the horizontal strut (lower) for the monitor on the monitor stand.



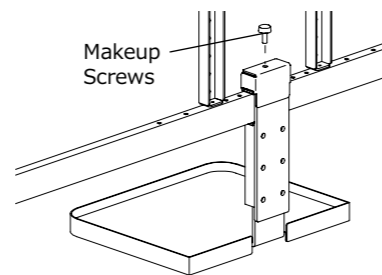
If the monitor is already installed when attaching the Web camera Stand, some space is required between the horizontal strut (lower) for the monitor and the back of the monitor. Loosen the screw affixing the monitor slightly and allow for some space before installing the Web camera Stand.

③ Hold the Web camera Stand up and position it so that its strut fits around the horizontal strut (lower) of the monitor from below, and secure the brackets in place from above.

Lift it so that the claws of the strut can be hooked to the horizontal strut of the monitor.

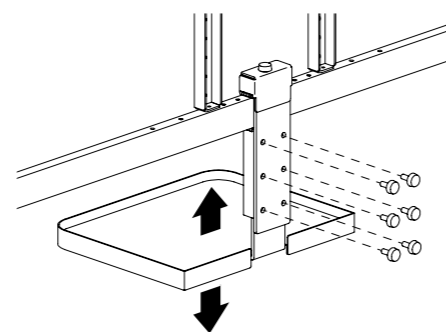


④ Insert makeup screws into the upper holes of the securing brackets, and screw them in firmly so that the screw holes at the inner top part of the struts are pulled in.



2 How to adjust the height of the shelf

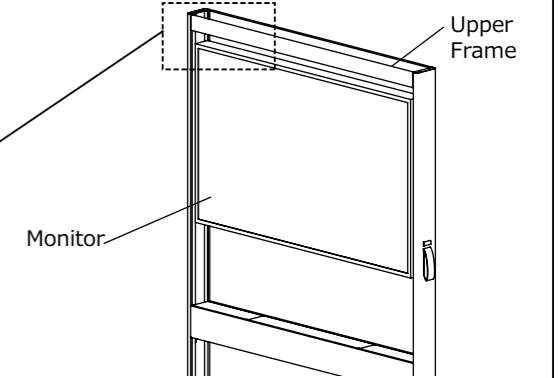
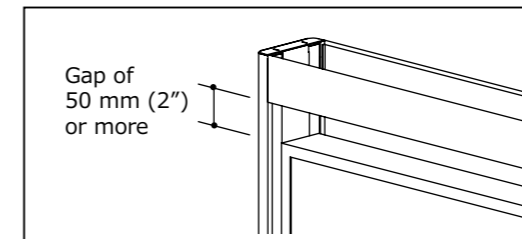
Use makeup screws to fix the shelf at a position where the holes on the inside and outside of the strut align. The height can be adjusted at 3 levels (30 mm pitches).



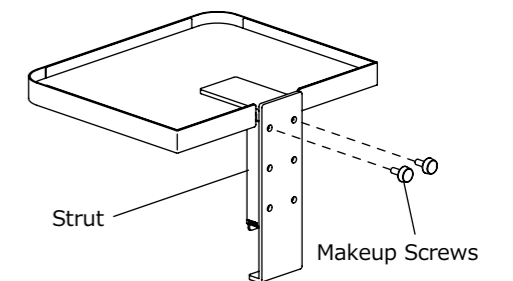
3. Assembly Guide

1 Installing the webcam rest (over the monitor)

① Leave a gap of 50 mm (2") or more between the upper frame of the monitor stand and the top of the monitor.

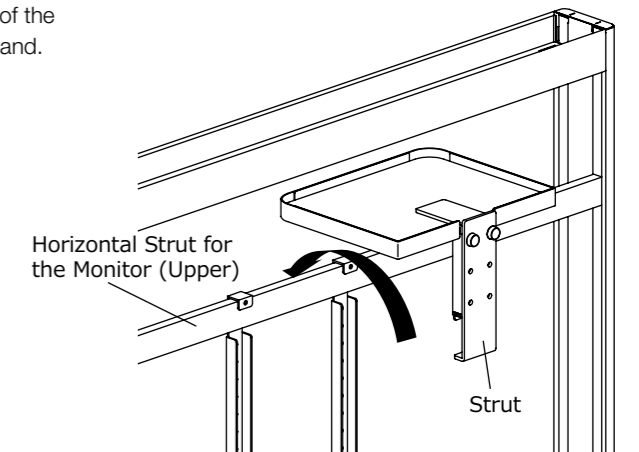
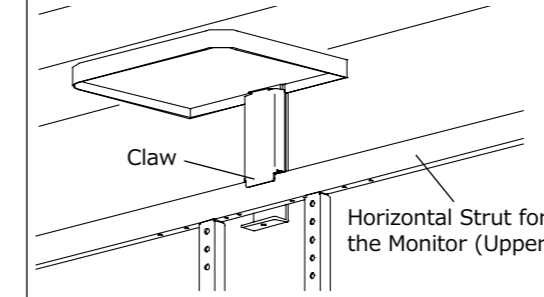


② Fix the shelf with the strut at the shortest length. Align the holes on the inner and outer plates with the holes shown on the diagram on the right, and fix them with makeup screws.



③ Place the strut of the Web camera Stand on the center of the horizontal strut (upper) for the monitor on the monitor stand.

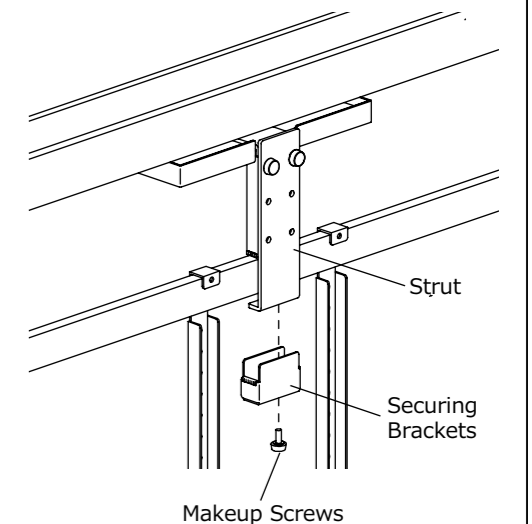
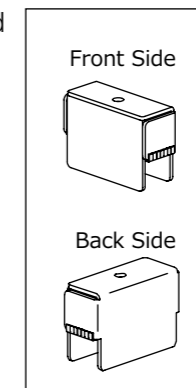
*Place the strut so that its claws are hooked on the horizontal strut for the monitor.



④ Secure the brackets from below while holding the strut with your hand so that it does not fall over.

⑤ Insert makeup screws into the lower holes of the securing brackets, and screw them in firmly so that the screw holes in the inner struts are pulled in.

*The height of the shelf cannot be adjusted when installed above the monitor.

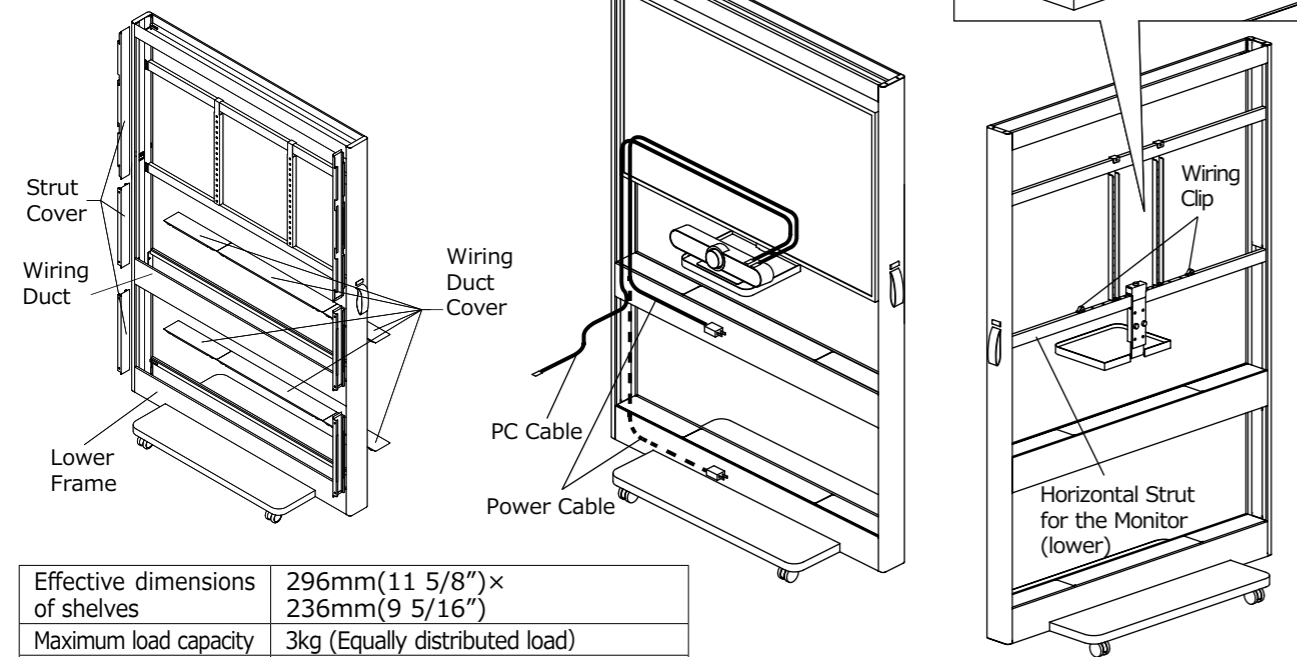


4. Operation Guide

Wiring Method / Route

■ Installing under the monitor

Remove the strut cover and wiring duct cover, and wire inside the strut, inside the wiring duct, and inside the lower frame. At that time, secure the cabling to the horizontal strut for the monitor (lower) with a wiring clip. The small duct covers (4 places) on both ends can be lifted by pressing on the ends with your fingers.

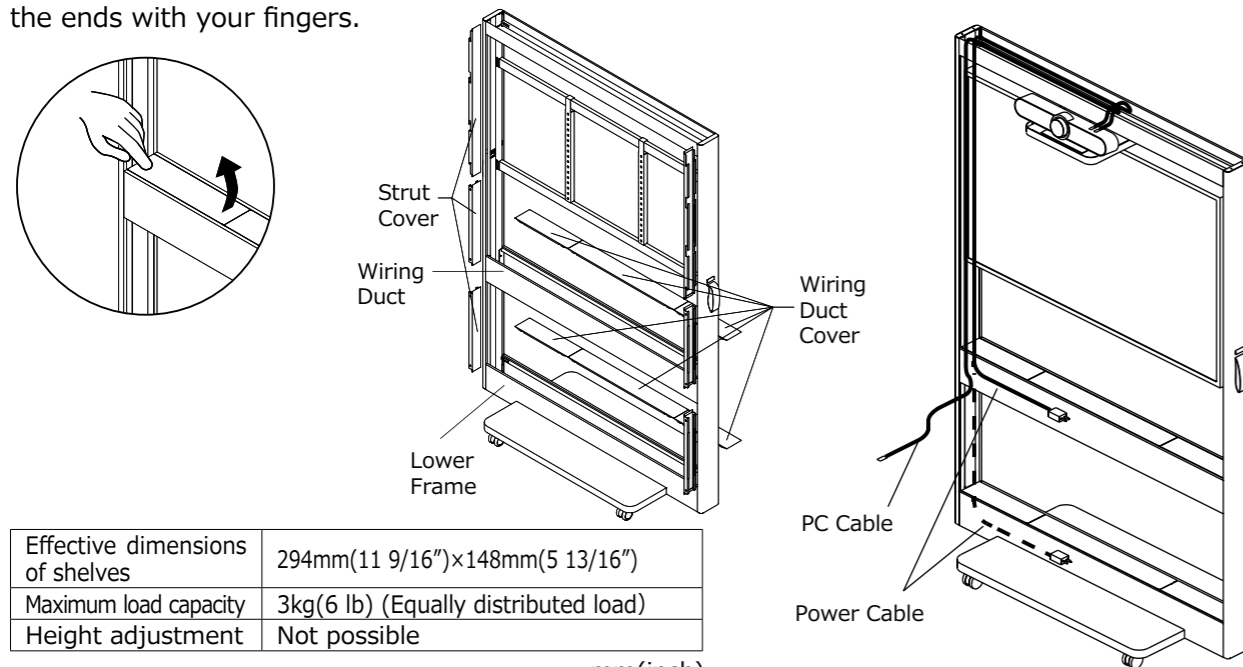


Effective dimensions of shelves	296mm(11 5/8") × 236mm(9 5/16")
Maximum load capacity	3kg (Equally distributed load)
Height adjustment	3 levels (range of adjustment 90mm(3 9/16"))

mm(inch)

■ Installing above the monitor

Remove the strut cover and wiring duct cover, and wire inside the strut, inside the wiring duct, and inside the lower frame. The small duct covers (4 places) on both ends can be lifted by pressing on the ends with your fingers.



Effective dimensions of shelves	294mm(11 9/16") × 148mm(5 13/16")
Maximum load capacity	3kg(6 lb) (Equally distributed load)
Height adjustment	Not possible

mm(inch)

5. Instructions to Extend the Life of Product

Please follow the instructions below. Failure may cause damage to the product. In that case, Okamura will not take any responsibility or liability for any phenomena caused.

Operating Precautions and Maintenance

- If the product has become unsteady due to loosening of the bolts or screws during use, retighten them immediately.
- This Instruction Manual is very important, so store it in an easily accessible location.
- Regular maintenance is recommended for long-life use. Please request us early for inspections and repairs (fees required) when the warranty has expired.

Daily care

[Steel part]

- Wipe off with a dry soft clean cloth.
- Immediately wipe off any water.
- Immediately wipe off any dust or fingerprints (sebum).

<Cautions>

- Do not leave any water on the steel part. Do not use a chemical cloth or an organic solvent such as thinner and benzene. Please note that the product with its color or texture deteriorated cannot be restored to its original state.

6. Specifications

Main materials and surface finish

	Structural Part	Materials	Web camera Stand
Web camera Stand	Shelf	Steel	Amino-alkyd resin coating or Polyester coating
	Strut	Steel	

* Note that product specifications may change without notice in order to improve them.