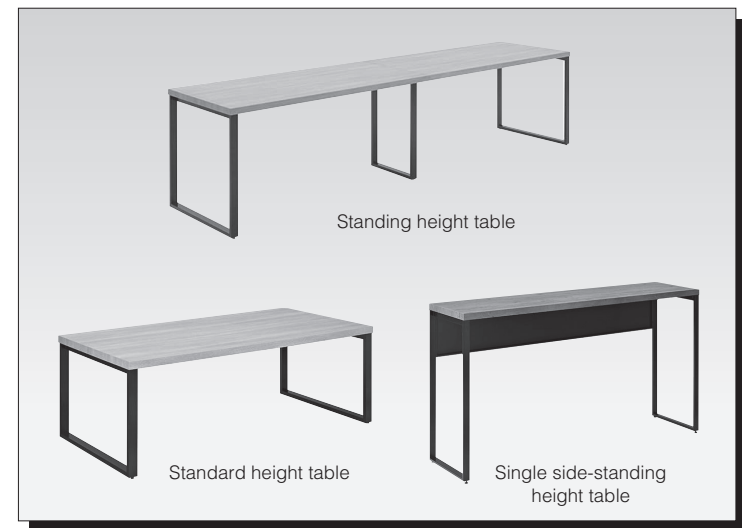


Creative Furniture

Alt Piazza Series

[Standing height table, Standard height table, Single side-standing height table]

Instructions for Use



okamura

OKAMURA CORPORATION

INTERNATIONAL SALES & MARKETING DIVISION
2-14-27, Akasaka, Minato-ku, Tokyo 107-0052, JAPAN
Tel : +81-3-5561-4085 Fax : +81-3-5561-4086
<http://www.okamura.jp/>

GTA259
2019-01

okamura

Safety Instructions (Make sure to follow these instructions)

Warning

User must follow these instructions to prevent death or severe injuries.

Caution

User must follow this instruction to prevent accidents and injuries, or damages to their property.

Caution

Do not handle roughly, or use improperly. It may cause injury or damage to the product.

- Do not use as a stepstool.

Be careful of the following items since they may cause injury or damage the product.

- Do not sit or lean on to the product.
- Do not use the product with any part loose or missing.
- Do not move the product while objects are placed on it.
- If the product is found unstable due to loosening of bolts or screws, retighten them.

Do not disassemble or repair on your own.

- Do not attempt to disassemble or repair the product yourself. Please contact our official dealers when needed.
- Do not use with bolts and screws loosen. It may cause damage to the product and result in injury.

Consult your local distributor or our official dealer for the available optional items.

Do not modify on your own. This leads to malfunction or accident.

- Modifying the product by yourself may cause the product to malfunction. Okamura is not responsible for any damages caused by modification.
- Please contact an official Okamura dealer in advance when the product requires any modifications.

Appropriate Ventilation Measures

- Many chemical substances will be released by the product when it is first purchased. Sufficiently ventilate or expose the product to moving air for some time after purchasing it.
- Do not completely close windows when using the product in rooms with conspicuously high temperatures/humidity (the benchmarks for these are temperatures in excess of 28° C (82.4° F) and relative humidity in excess of 50%).

Installation

Please follow the instructions below. Failure to do so may cause serious damage to the product and Okamura will have no responsibility for any disadvantages.

Use the product indoors.

- Do not use outdoors or near water. It may cause warping or mold.

Do not place the product under a heater or air-conditioner exhausting high temperature air.

Avoid high temperature, high humidity, or extraordinary aridity.

Do not expose the product to direct sunlight. It causes distortion or discoloration of the product.

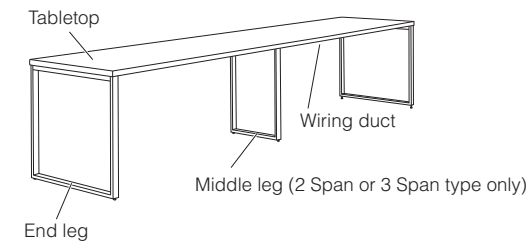
- Always use curtains, blinds, or the like to protect the product from direct sunlight when placing it next to windows or the like.

Place the product on a horizontal surface.

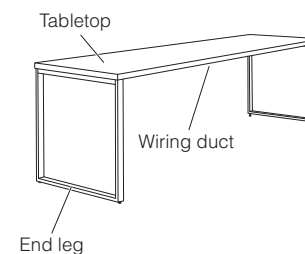
- Be sure to place the product on a horizontal surface. Failure to do so may cause deformation of the product.
- Use the leveler to keep the product horizontal to the floor surface.

Part Names

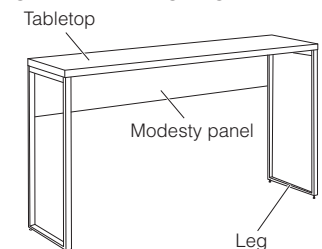
Standing height table



Standard height table



Single side-standing height table



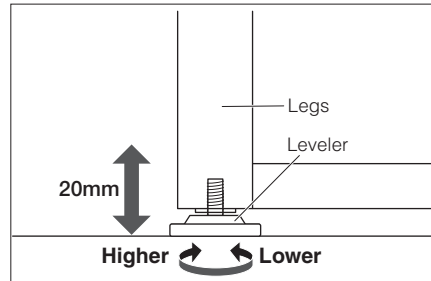
Operation Guide

■ Leg adjustment

Use the leveler for the legs to keep the table horizontal to the floor surface if it wobbles due to uneven floor surfaces.

⚠ Caution

When using the leveler, ensure that more than two people provide rigid support using extreme caution.

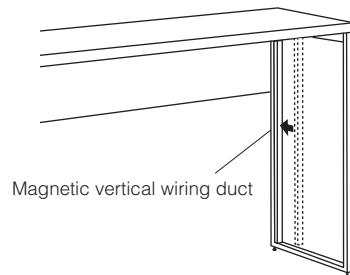


■ Optional accessories

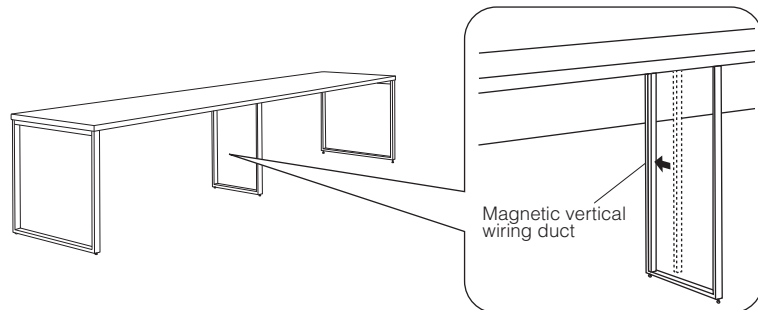
Under surface power unit	2 Power 1 Dual USB charger	MMD3BA	Y708 (Black), Y707 (White)
	3 Power	MMD3BB	Y708 (Black), Y707 (White)
Cable guards	For 1000H	DD287Z	-G967 (Black)
	For 720H	DD285Z	-G967 (Black)

■ Magnetic vertical wiring duct (optional)

Attach the magnetic vertical wiring duct to the inner-facing side of a leg. The wiring duct can be attached to the end leg or the middle leg.



Single side-standing height table



Standing height table, Standard height table

Instructions to Extend the Life of Product

Please follow the instructions below. Failure to do so may cause serious damage to the product and Okamura will have no responsibility for any damages.

Operating Precautions and Maintenance

- Do not use sharp objects such as a knife on the tabletop as it may cause scratches or damages to the surface.



- If you spill tea, coffee, detergent, medicine, or some other liquid on the product, wipe off immediately.
- This instruction manual is very important, so store it in an easily accessible location.
- Regular maintenance is recommended for long product life. Make requests to us immediately when a repair or inspection is needed (fees required after expiration of warranty).

- If the product gets wet with water, wipe off with dry and soft cloth.

For daily care

Wooden part

- Wipe gently along the grain with a soft, clean, dry cloth.
- If the product becomes noticeably dirty, remove the dirt using a soft cloth dampened with water, then use a dry cloth to absorb water residue.
- For a more thorough cleaning we recommend using a mild cleaner (thin neutral detergent).
<Caution>
- Do not use the following as they may damage the coating.
 - Thinner, benzene, alcohol, lacquer, oil, vinegar, boiling water, polisher, etc.
- Frequent wiping with a damp cloth may cause cracking of the coating. It is recommended to use a dry soft cloth or our wiping cloths for daily care.

Resin part

- Wipe off with a soft cloth dampened with water.
- When it gets dirty, moisten the cloth with thin neutral detergent and squeeze it hard to wipe. Wipe clean with a damp cloth. Be sure to wipe detergent completely and wipe again with a dry cloth to dry it.

Steel part

- Wipe off with a dry soft clean cloth.
- If moisture is collected or substances such as fingerprints or sebum are adhered, wipe it off immediately. Leaving moisture, liquid, fingerprints, or sebum on the surface accelerates oxidation of the steel part and deteriorates gloss and texture.

Materials and Surface Finish

	Part	Materials	Surface finish
Tabletop	Surfacing, coating	Melamine board	—
	Core material	MDF	—
Legs (end leg, middle leg)	Legs frame, corbel	Steel	Baking finish
Modesty panel	Main body	Steel	Baking finish
Wiring duct	Main body	Steel	Baking finish
Leveler	Main body	Steel	Plated

* Please understand that product specifications might change without prior notification due to improvements made to the product.