

drape



okamura

Simple and functional.
A minimalist pod for open offices.



Drape is a minimal-sized pod with sound-absorbing capability. It takes up as little as four carpet tiles to build and transform open offices into a hub of concentration. The outer side of the two-toned panels are colored with brighter hues to uplift the office, while the inside panels are covered with a calming gray tone.

Award



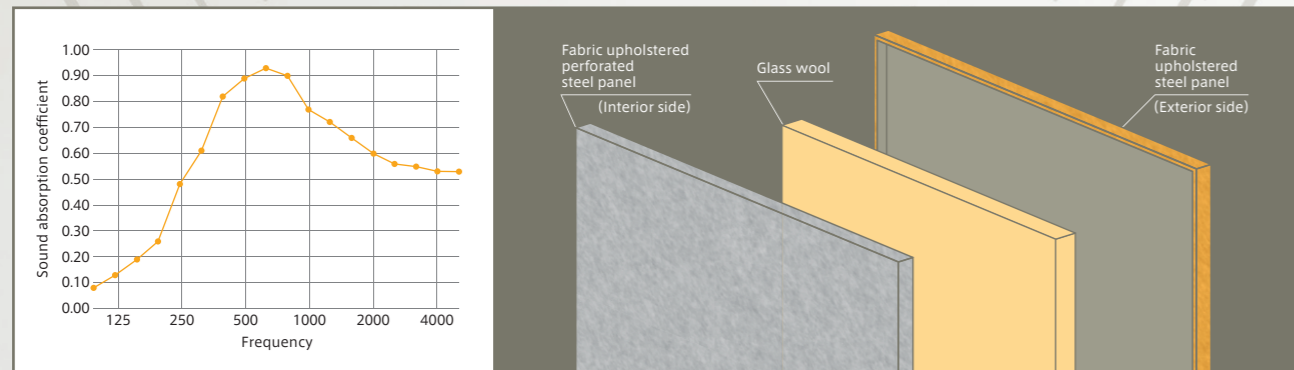
The perfect get-away space

The highly effective sound-absorbing panels reduce noise in open offices, giving you a quiet environment you need to focus on your task. The panels also prevent inside sounds from leaking.



Distraction-blocking panels to enhance workers' focus

* Conceptual Drawing

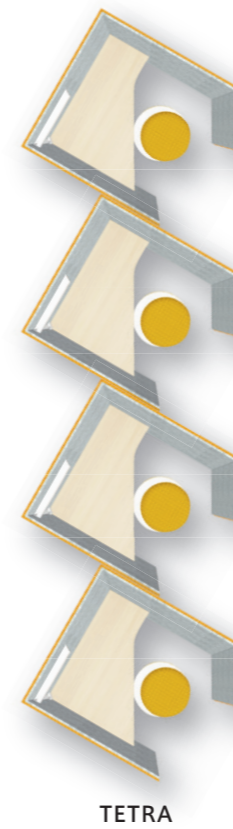


The slim profile panels are only 30mm thick. The core of these panels have glass wool insulation for excellent sound absorption. The clean and straightforward design creates mini-environments for focus throughout the office while also adding aesthetic interest points and color to the workplace.

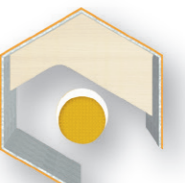
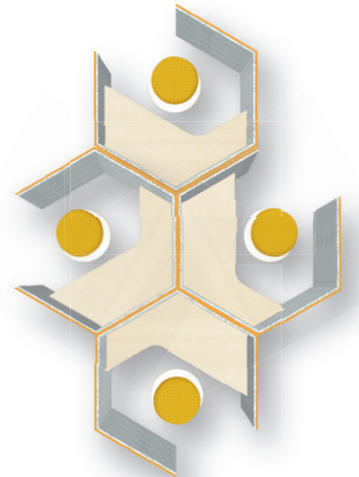
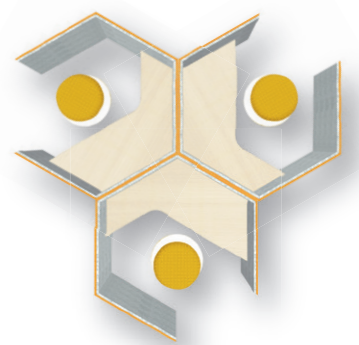
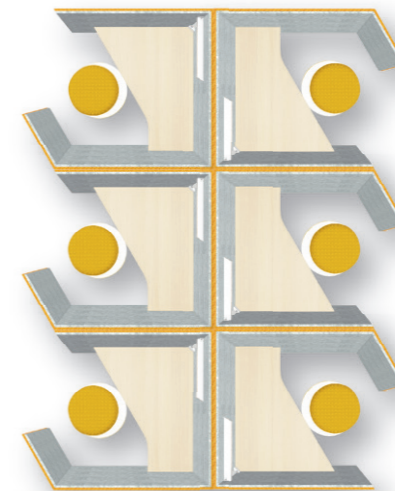
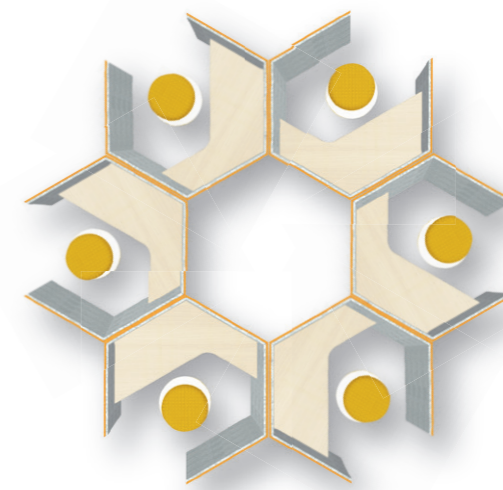
Performance

Acoustics : NRC Value - 0.70 *Noise Reduction Coefficient
 SAA Value - 0.68 *Sound Absorption Average
 Note: Results are of the Felt applied panel. Value varies according to cover fabric.
 The measurement results comprise materials evaluations for panel units, and do not guarantee actual sound absorption effects.

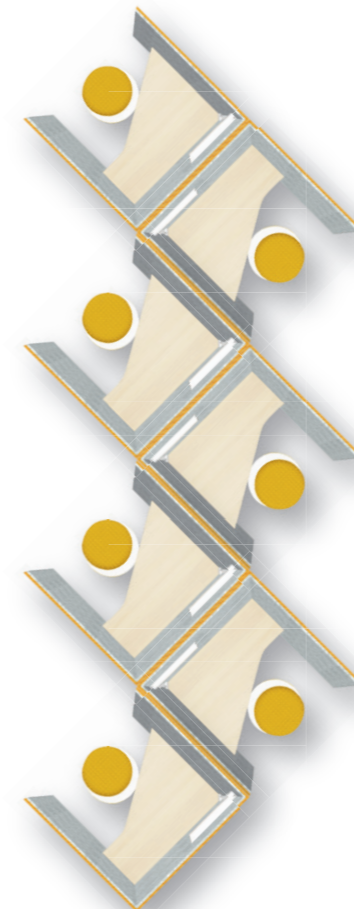
Fire test : ASTM E84 - Class A
 Note: Results are of the Felt applied panel and Interlock applied panel.



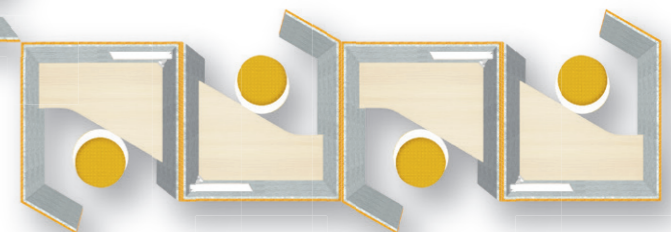
TETRA



PENTA



TRI



Creative Geometric Configurations

"Tri" is the standard configuration consisting of three panels, perpendicular to each to make a U-shape. "Tetra" and "Penta" have an additional short panel that sits at a 120 degree angle at the entrance for an added level of privacy. A myriad of configurations are possible with your creativity.

Function

1 When inside the booth, the user sits facing the inside corner, cutting visual interference from outside. The diagonally cut tabletop also secures ample workspace and legroom.

2 Tetra's small panel behind the user prevents others from looking inside, giving the user a feeling of security.

3 The slim profile panels are only 30mm thick and features an edge profile cut at a 60 degree angle. The two-toned panels create sharp visual.

4 It is only possible to see inside the booth from one angle (3), ensuring you get the privacy you need to concentrate and focus.

The Tri requires less than 1000x1000 of floor space, a footprint similar to four carpet tiles.

Line Up

		Tabletop 720H				Tabletop 1000H				
		Tri		Tetra		Tri		Tetra		Penta
Panel	Panel Height	1920		1520		1920		1920		1920
	Tabletop Height	720		720		1000		1000		1000
	Tabletop Orientation	Right	Left	Right	Left	Right	Left	Right	Left	Right
Code	1520H	4WA11CN		4WA12CN		4WA12DN		-		-
	1920H	4WA11EN		4WA12EN		4WA12FN		4WA11EN		4WA12EN 4WA12FN 4WA13EN
Tabletop - Code		4WA21AN	4WA21BN	4WA21AN	4WA21BN	4WA21AN	4WA21BN	4WA21AN	4WA21BN	4WA23AN 4WA23BN

The code for the left type and right type of Tri and Penta is the same. Variation with 1920 high panels would need lighting on the desk or from the ceiling. We recommend using a non-swivel chair for Tetra and Penta.
 <Common specifications> Panel : Sheet metal with levelers, Surface : Fabric or Felt, Sound absorbent material : Glass-wool, Tabletop : Laminated work surface, Wire management tray : Powder coated steel

Colors

Panel (Combination)

Felt (Two-tone)



Interlock (Two-tone)



Tabletop (Combination)

Tabletop Edge	MG99	MX61*	MX62*	MX63*
Bracket/Foot	Tabletop : MG07 (White) Edge : G939 (White)	Tabletop : MX51(Prize Wood Light) Edge : GE21 (Prize Wood Light)	Tabletop : MX52(Prize Wood Medium) Edge : GE22(Prize Wood Medium)	Tabletop : MX53(Prize Wood Dark) Edge : GE23(Prize Wood Dark)
ZK25 (Black)	MHE6	MHV3	MHV4	MHV5

The inside fabric comes with gray or beige, and the outer side is available with 18 beautiful contrasting colors. A single color fabric option is also available upon request.

*Anti - fingerprint laminate surface provides resistance to fingerprints and easily wipes clean.

Options

Power Accessory

*Display model is US version

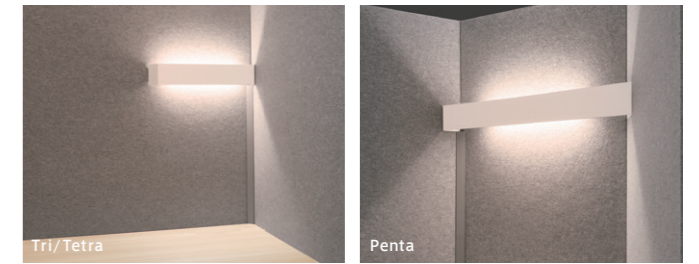


A power unit can be attached underneath the tabletop at your preferred location.

*There is a 12mm gap between the bottom of the panel and the floor allowing enough room for a cable to pass through.

Wall Light

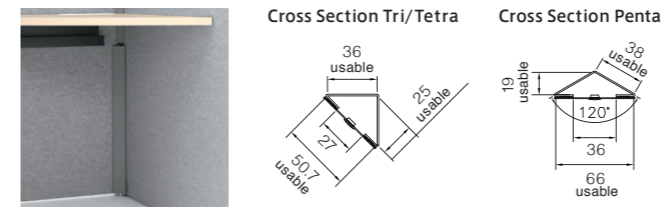
*Display model is US version



The optional lighting is soft on the eyes yet strong enough to aid your work. The wall light is available with downlight only or with both uplight and downlight.

*Please prepare a power outlet below the tabletop.

Vertical Wiring Duct



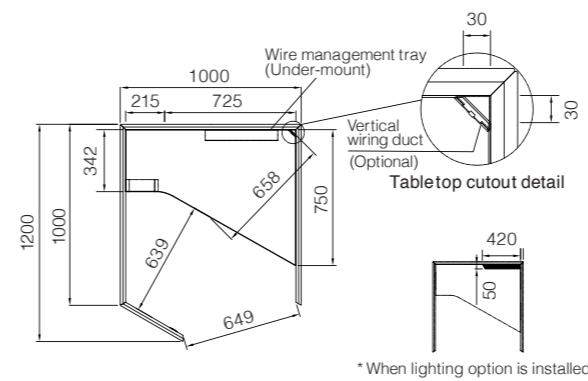
Z606 (Skip Gray)

For Tri/Tetra	720H	4WAY1YN-Z606
	1000H	4WAY2YN-Z606
For Penta	1000H	4WAY3YN-Z606

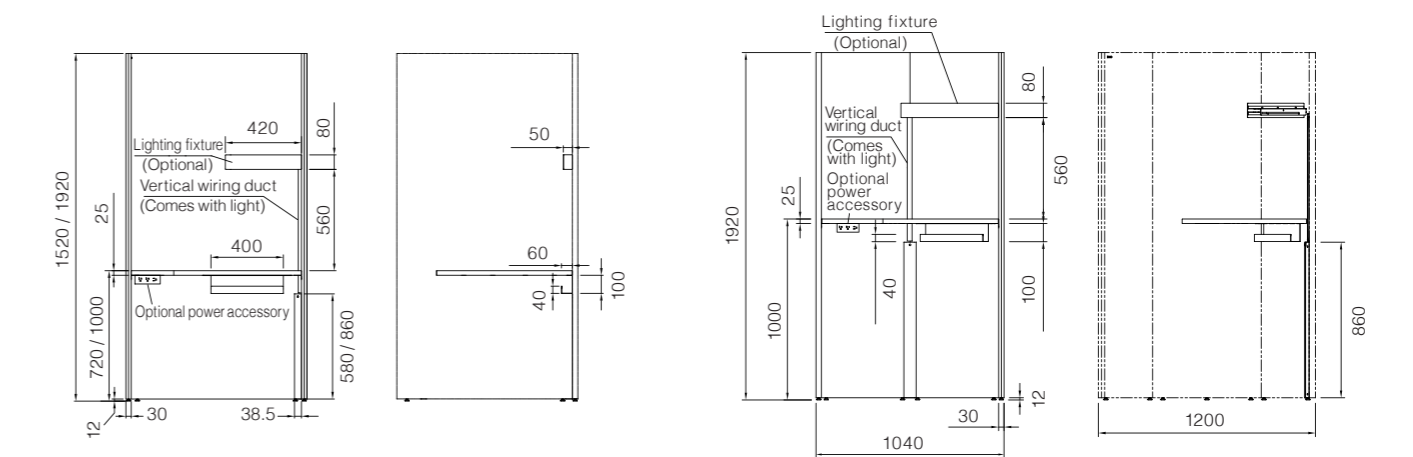
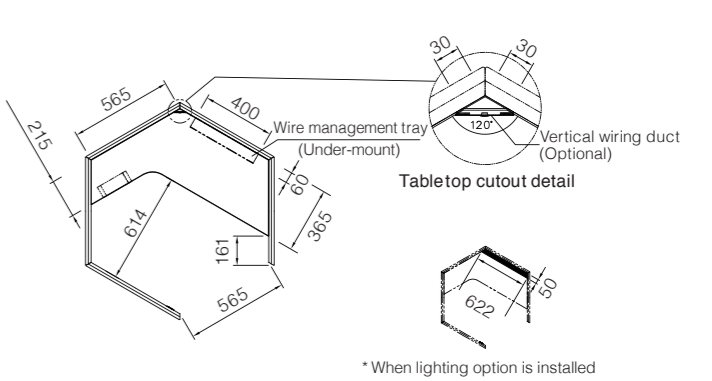
<Common specifications> Vertical wiring duct : Powder coated steel

Measurements

Tri · Tetra



Penta



okamura