

credenza

Floating in the air.



okamura

Design Concept

The Credenza was designed to fit various conference room interiors. Its simple design and sophisticated details match high-end boardrooms beautifully. The Credenza is offered in 6 high-quality wood veneer finishes, aligned with the traverse conference table.



Variation



Aluminum base

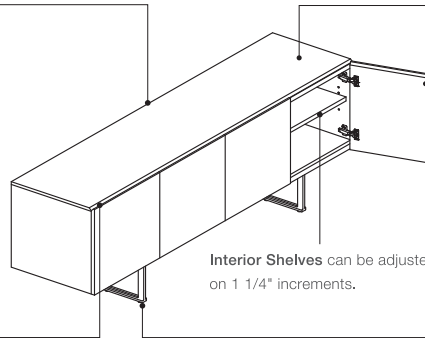


Plinth base

Product Details



The Back and Interior are finished with the same beautiful veneer as the exterior.



Interior Shelves can be adjusted on 1 1/4" increments.

The Top grain runs horizontally, creating beautiful, broad lines.



Doors come standard with 110° soft close hinges and feature discreet open marks. Optional door locks are available.

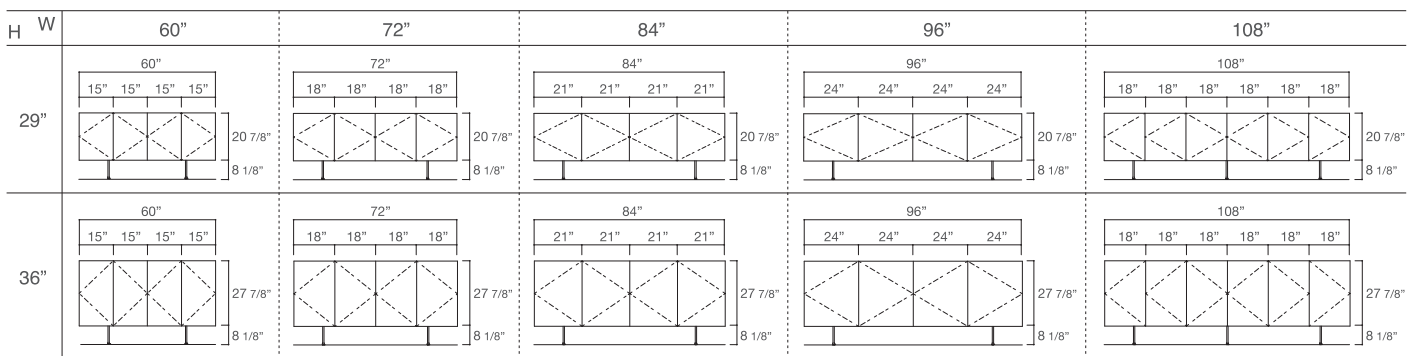


Bevel Edge Profile make doors easy to open, despite their minimal design.



Bases are available in two types - Aluminum base, Plinth base.

Statement of line



*D=20" *The height of Plinth base credenza is the same as that of Aluminum base.

inches

Exquisite Finishes

Wood veneer



WE51
Dyed Oak



WE52
Dark Sapele



WE53
Walnut



WE54
Teak



WE55
Oak



WE56
Figured Maple

okamura

OKAMURA CORPORATION

International Sales & Marketing Div.

2-14-27, Akasaka, Minato-ku, Tokyo 107-0052, JAPAN

Tel: +81-3-5561-4085 Fax: +81-3-5561-4086

<http://www.okamura.jp/>

The products listed in this catalog are available as of May 2017. Please note that specifications, dimensions, and colors are subject to change without notice. The colors of the actual products may differ somewhat from the colors shown in the catalog, depending on printing conditions.

YOCK42-7N1 P.OS '17-11 Printed in Japan